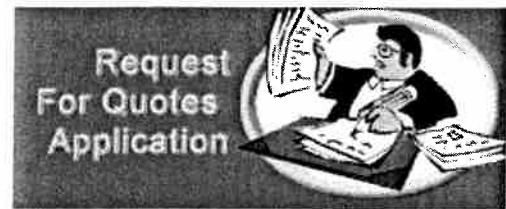




**GUYSUCO**  
Purchasing Department



Logged on: Kwesi McIntosh

Purchasing Dept. | Home

RFQs

[View / Modify](#)**View an RFQ**

Suppliers

[View / Modify](#)[Add](#)Search  
AgainPrint  
this page

Commodities

[View](#)Change Password  
Logoff**REQUEST FOR QUOTATION**

<b>RFQ No.:</b>	5201002788/ FO
<b>Creation Date:</b>	30-Jul-2010
<b>Closing Date:</b>	23-Aug-2010

KINDLY FORWARD QUOTATIONS. BIDS CLOSED AT 1:30PM ON THE DATE STATED.

Line	Item No.	Description	Quantity	U/M
1	808909558	<b>CUTTER SHAFT SEAT (MFG #NA MFG NAME SUNSHINE MACHINERY)</b>  <b>Long Description:</b> MANF: SUNSHINE MACHINERY CO. LTD MANF: ITEM #CP1-03-25 MODEL: SP-204 SERIAL NO: 890948 MADE IN TAIWAN	2	EACH
2	808909559	<b>CUTTER BEARING BLOCK (MFG# NA MFG NAME SUNSHINE MACHINERY)</b>  <b>Long Description:</b> MANF: SUNSHINE MACHINERY CO. LTD MANF: ITEM #CP1-03-25 MODEL: SP-204 SERIAL NO: 890948 MADE IN TAIWAN	2	EACH
3	808909561	<b>DRY BEARING (MFG# NA MFG NAME SUNSHINE MACHINERY)</b>  <b>Long Description:</b> MANF: SUNSHINE MACHINERY CO. LTD MANF: ITEM #CP1-03-25 MODEL: SP-204 SERIAL NO: 890948 MADE IN TAIWAN	4	EACH

4	808909563	<p><b>FLATTER CUTTER BLADE-/ (ANVIL) (MFG# NA MFG NAME SUNSHINE MACHINERY)</b></p> <p><b>Long Description:</b> MANF: SUNSHINE MACHINERY CO. LTD MANF: ITEM #CP1-03-25 MODEL: SP-204 SERIAL NO: 890948 MADE IN TAIWAN</p>	14 EACH
5	808909564	<p><b>CUTTER BLADE /(KNIFE BLADE) (MFG# NA MFG NAME SUNSHINE MACHINERY)</b></p> <p><b>Long Description:</b> MANF: SUNSHINE MACHINERY CO. LTD MANF: ITEM #CP1-03-25 MODEL: SP-204 SERIAL NO: 890948 MADE IN TAIWAN</p>	14 EACH
6	808909550	<p><b>STUFF DISTRIBUTOR (MFG# NA MFG NAME SUNSHINE MACHINERY.)</b></p>	2 EACH
7	808909553	<p><b>JUNK RING (MFG# NA MFG NAME SUNSHINE MACHINERY)</b></p>	12 EACH
8	808909555	<p><b>SPRING /(TENSION SPRING FOR JAW AND ROLLERS) (MFG# NA MFG NAME SUNSHINE MACHINERY)</b></p> <p><b>Long Description:</b> MANF: SUNSHINE MACHINERY CO. LTD MANF: ITEM #CP1-03-25 MODEL: SP-204 SERIAL NO: 890948 MADE IN TAIWAN</p>	12 EACH
9	808909554	<p><b>STATIONARY SHAFT / (VERTICAL MAIN DRIVE SHAFT ) (MFG# NA MFG NAME SUNSHINE MACHINERY)</b></p>	1 EACH
11	808909557	<p><b>VIBRATING ROD COMPLETE -/ (VIBRATING ROD SPRING) (MFG# NA MFG NAME SUNSHINE MACHINERY)</b></p>	1 EACH
		<p><b>BEARING BALL (MFG#6003 ZZ MFG NAME NONE). PLEASE SEE</b></p>	


12	102302094	<b>ATTACHED SPECIFICATION SHEETS &amp; DRAWINGS ON WEBSITE.</b> <b>Mfg Part#: 6003 ZZ</b>	1 EACH
----	-----------	--	--------

### WebApp Vendors

[Add Vendors](#)

[Send RFQ](#)

Powered by  
**ORACLE**

 [Go to top](#)

[Home](#) · [Helpdesk](#) · [Essential Information](#) · [The Learning Centre](#) · [Telephone Directory](#)

2005 Guyana Sugar Corporation, Inc.  
Ogle Estate, East Coast Demerara  
Tel: (592) 222-6030/41 Fax: (592) 222-6048  
<http://intranet/>

Line	Item No	Description	Manufacturer item No	Quantity	U/M
	808909558	<b>Cutter Shaft Seat</b> Item No 25 on attached machine drawing.	CP1-03-25 /	2	Each
	808909559	<b>Cutter Bearing Block</b> Item No 16 on attached machine drawing.	CP1-03-16	2	Each
	808909561	<b>Dry Bearing</b> Item No 17 on attached machine drawing.	CP1-03-17	4	Each
	808909563	<b>Flat Cutter Blade</b> Item No 30 on attached machine drawing.	CP1-03-30	14	Each
	808909564	<b>Cutter Blade</b> Item No 22 on attached machine drawing	CP1-03-22	14	Each
	808909555	<b>Spring</b> Item No 32 on attached machine drawing	CP1-03-32	12	Each
	102302094	<b>6003 ZZ (Double Shield) ball bearing.</b>		6	Each

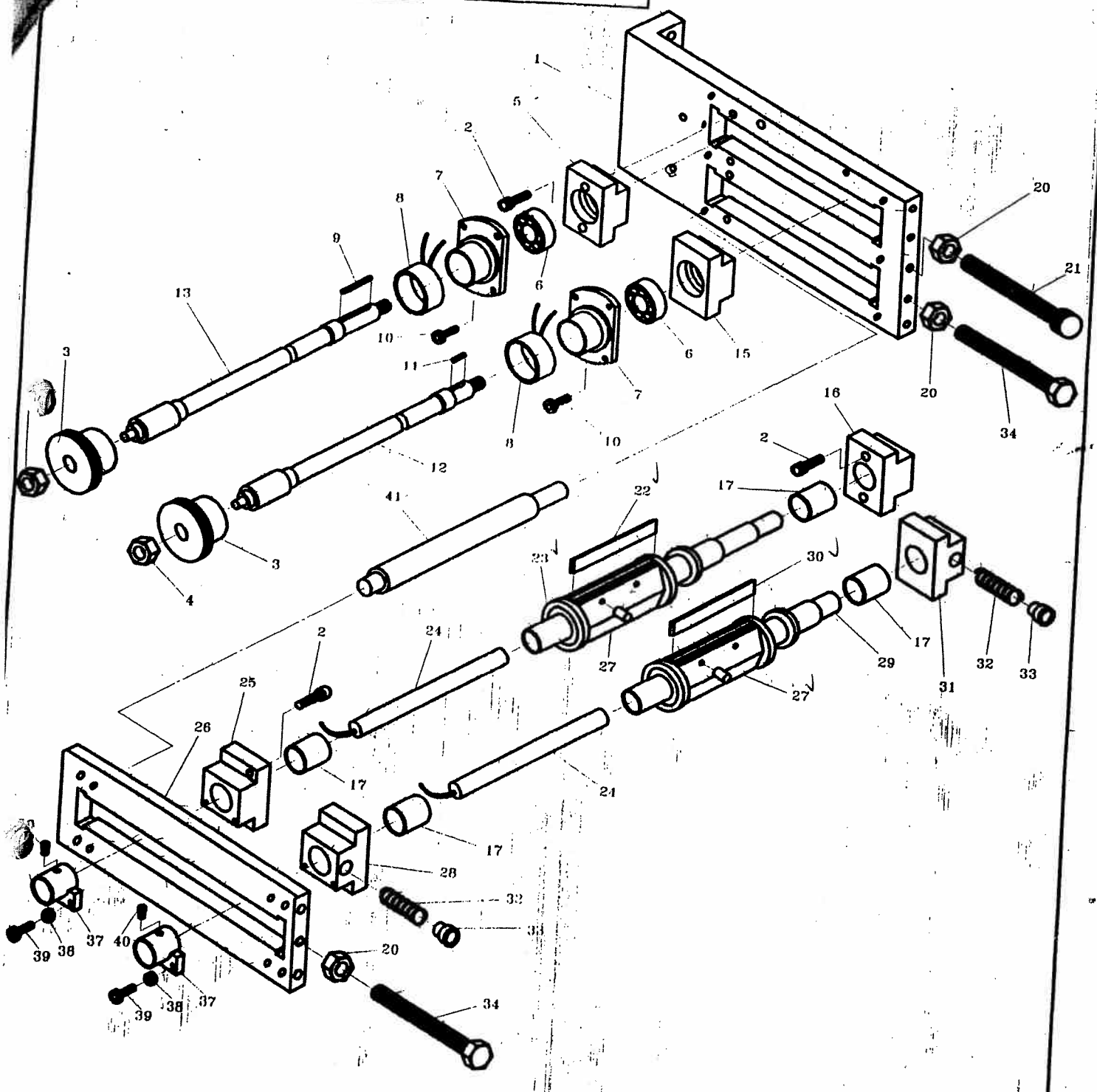
**Machine Details:**

<p><b>Manufactured by</b> Sunshine Machinery Co. LTD Model: SP-204 Serial No: 890948 Made in Taiwan</p>	<p><b>Manufactured for:</b> Packaging Center INC. 7328-7332 N.W 79<sup>th</sup> Terrace Miami, Florida. 33166 USA Date: Sept 2000 PCI No. 12871</p>
---	---

*Tai Ali*

Electrical Engineer

# 2-3 Sealing Cutting Mechanism



12-3 Sealing & Cutting Mechanism A

NO.	NAME OF PARTS	PC(S)
<u>CPI-03-01</u>	Main Frame	1
2	Hex. Socket Bolt	6
3	Sealing Wheel	2
4	Round Headed Screw Nut	2
5	Bearing Block of Sealing Wheel	1
6	Bearing	3
7	Fixed Stand	2
8	Electric Collar	2
9	Key	1
10	Round-headed Screw	8
11	Key	1
12	Sealing Wheel Shaft	1
13	Sealing Wheel Shaft	1
<del>14</del>	<del>Fixed Plate</del>	<del>1</del>
15	Sliding Seat	2
16	Cutter Bearing Block	1
17	Dry Bearing (3)	4
18	Flat Washer	5
19	Hex. Bolt	5
20	Hex. Screw Nut	3
21	Adjusting Screw Rod	2
22	Cutter Blade ✓	1
23	Cutter Shaft ✓	1
24	Electric Heating Tube	2
25	Cutter Shaft Seat (U)	1
26	Strut	1
27	Fixing Screw ✓	2
28	Sliding Seat	1
29	Cutter Shaft	1

12-3 Sealing & Cutting Mechanism 3

NO.	NAME OF PARTS	PC(S)
PC1-03-30	Flat Cutter Blade ✓	1
31	Sliding Seat	1
32	Spring ✓	2
33	Toggle	2
34	Adjusting Screw Rod	1
35	Flat Washer	1
36	<del>Fixed Plate</del>	<del>1</del>
37	Strut of Electric Heating Tube ✓	2
38	Flat Washer	4
39	Round-headed Screw	4
40	Fixing Screw	2
41	shaft	4

Line	Item No	Description	Manufacturer item No	Quantity	U/M
	808909550	<b>Stuff distributor</b> Item No 12 on attached machine drawing	CPI-01-12	2	
	808905553	<b>Junk Ring</b> Item No 20 on attached machine drawing	CPI-01-20	12	

**Machine Details:**

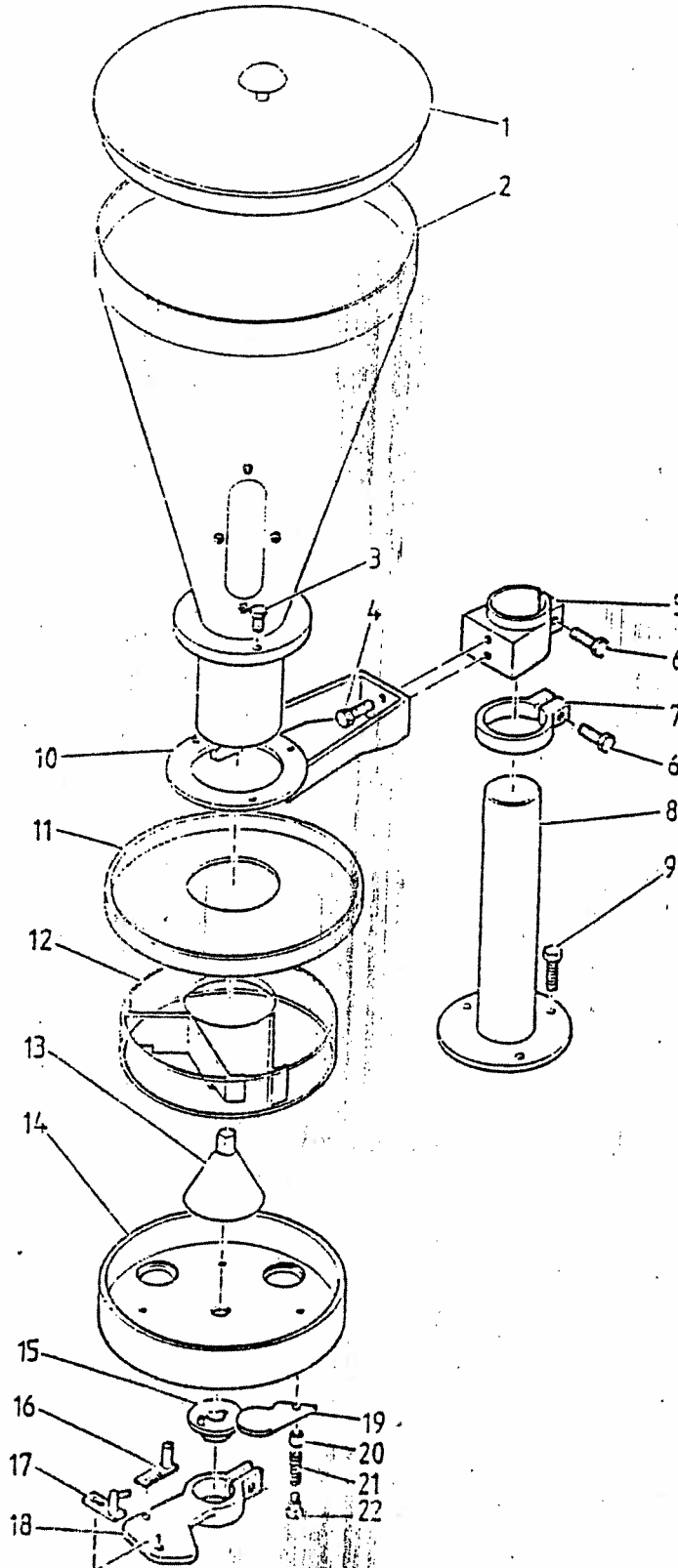
<p><b>Manufactured by</b> Sunshine Machinery Co. LTD Model: SP-204 Serial No: 890948 Made in Taiwan</p>	<p><b>Manufactured for:</b> Packaging Center INC. 7328-7332 N.W 79<sup>th</sup> Terrace Miami, Florida. 33166 USA Date: Sept 2000 PCI No. 12871</p>
---	---

*Zawah*  
.....

Electrical Engineer

# 12. PARTS LIST

## 12-1 Feeding Mechanism



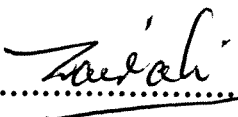
12-1 Feeding Mechanism ✓

NO.	NAME OF PARTS	PC(S)
CPI-01-01	Cover	1
2	Stuff Barrel	1
3	Hex. Bolt	3
4	Hex. Bolt	2
5	Connecting Seat	1
6	Hex. Bolt.	2
7	Fixing Ring	1
8	Strut	1
9	Hex. Bolt	3
10	Support	1
11	Metering Disk's Cover	1
12	Stuff Distributor ✓	1
13	Fixing Screw Nut	1
→ 14	Metering Disk	1
15	Connector	1
16	Distributing Rod	1
17	Distributing Rod	1
18	Distributing Rod Seat	1
19	Metering Cover	4
20	Junk Ring	4 ✓
21	Spring	4
22	Stationary Shaft	4 ✓

Line	Item No	Description	Manufacturer item No	Quantity	U/M
	808909554	<b>Idler Shaft</b> Item No 22 on attached machine drawing.	CPI-08-22	1	Each

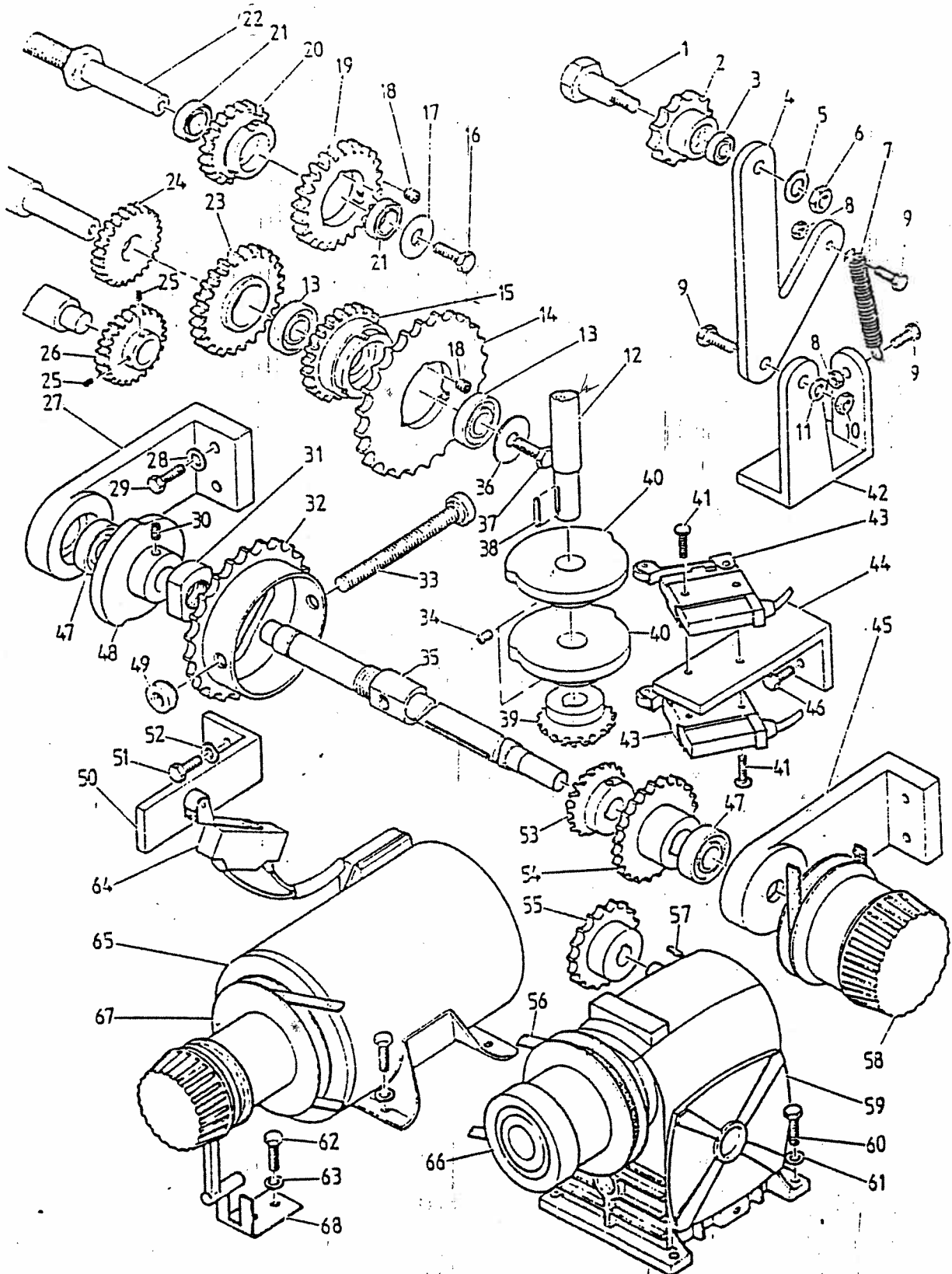
**Machine Details:**

<p><b>Manufactured by</b> Sunshine Machinery Co. LTD Model: SP-204 Serial No: 890948 Made in Taiwan</p>	<p><b>Manufactured for:</b> Packaging Center INC. 7328-7332 N.W 79<sup>th</sup> Terrace Miami, Florida. 33166 USA Date: Sept 2000 PCI No. 12871</p>
---	---

  
.....

Electrical Engineer

# 12-3 Main Transmission Mechanism



12-3 Main Transmission Mechanism A

NO.	NAME OF PARTS	PC(S)
CPL-08-01	Idler Shaft	1
2	Chain Wheel	1
3	Bearing ✓	1
4	Swing Arm	1
5	Flat Washer	1
6	Screw Nut	1
7	Spring	1
8	Hex. Screw Nut	2
9	Hex. Bolt	2
10	Hex. Screw Nut	1
11	Flat Washer	1
12	Vertical Shaft	1
13	Bearing	2
14	Chain Wheel	1
15	Gear	1
16	Hex. Bolt	2
17	Flat Washer	2
18	Fixing Screw	6
19	Gear	1
20	Gear,	1
21	Bearing	2
22	Idler Shaft ✓	1
23	Gear	1
24	Gear	1
25	Fixing Screw	2
26	Gear,	1
27	Bearing Block	1
28	Flat Washer	4
29	Hex. Bolt	4