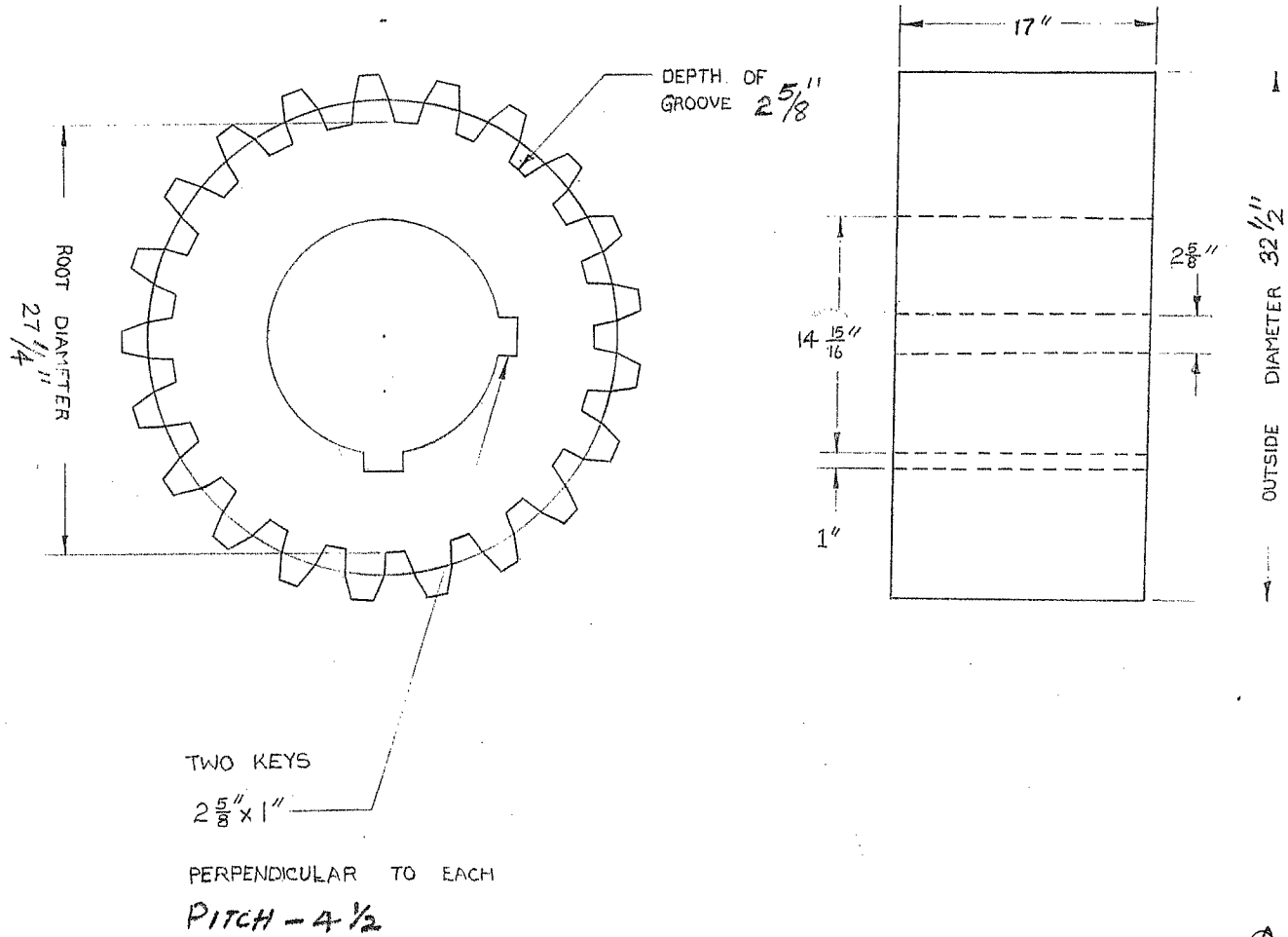


Blairmont



DWG BY : N. JAIPERSAUD

ITEM : NO. 1 MILL INTERMEDIATE SHAFT PINION 21T

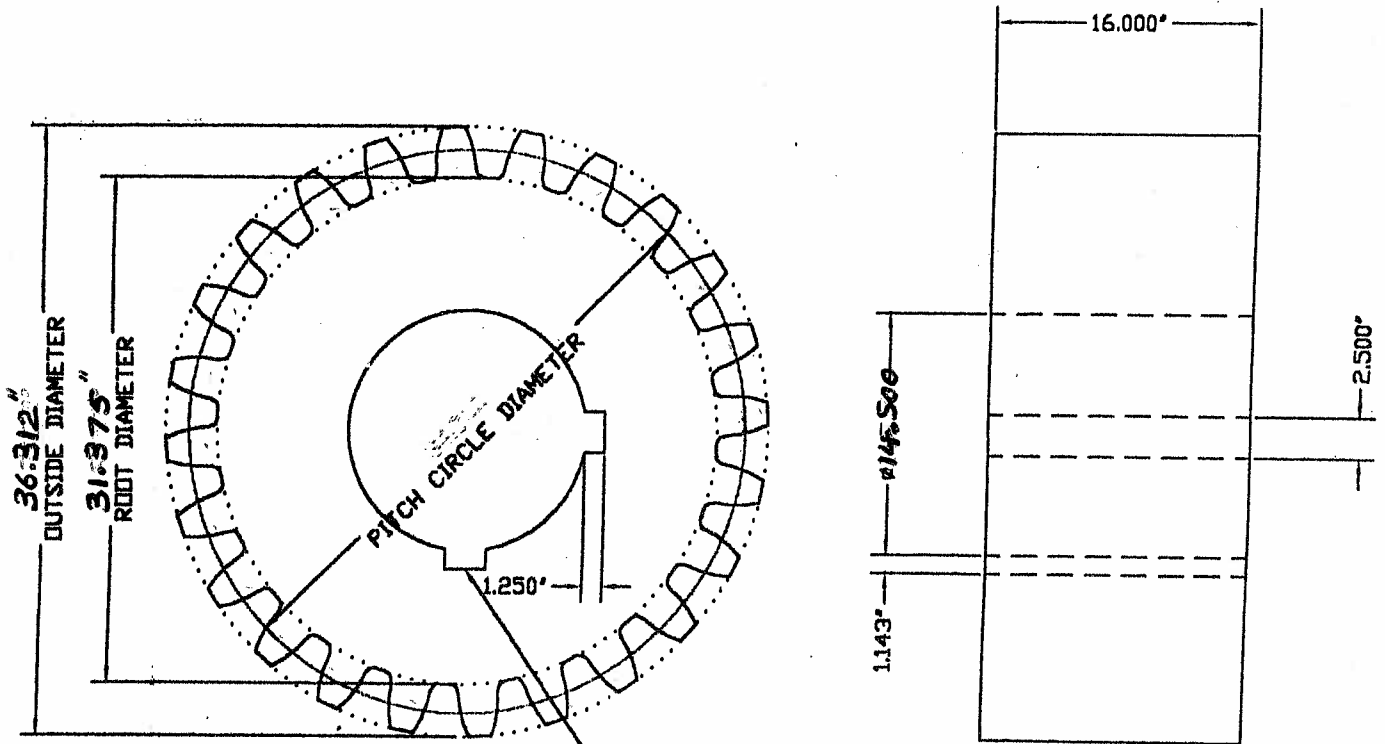
F. LAHABIB

CHECK BY : *George*

DIM : INCH

SCALE : N

Blairmont




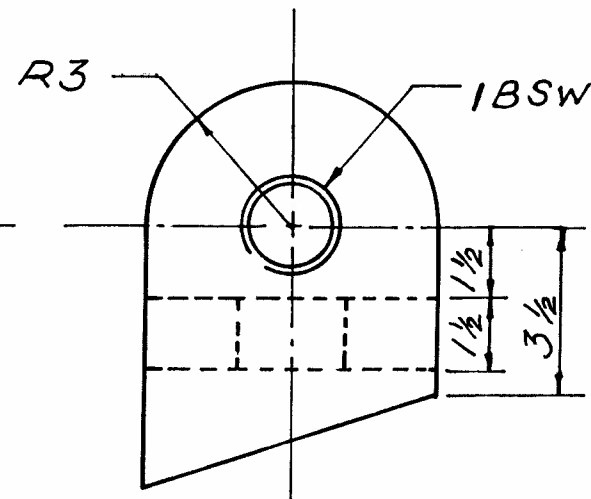
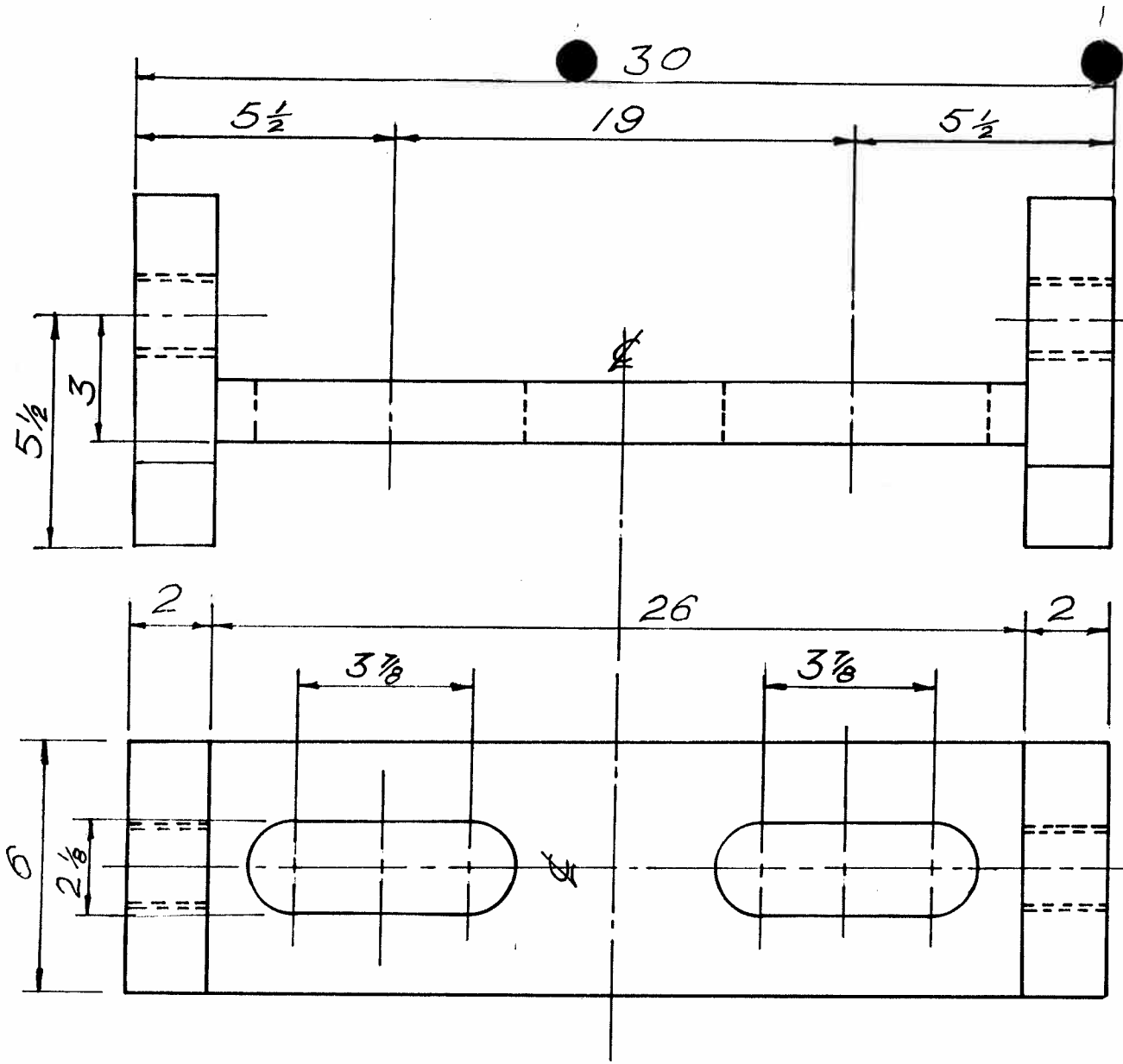
TWO KEYS
1 1/2" x 1 1/4" RT L
PERPENDICULAR TO
EACH OTHER

CIRCULAR PITCH 4 1/2"
MODULE 1.432"

24 TEETH GEAR.

REFERENCE	
GV 01-522-02	(21 TEETH PI)
GV 02-522-02	(24 TEETH PI)
GV 03-522-02	(28 TEETH PI)

GENERAL		MATERIAL	DRAWN BY D. R. THOMAS		DATE _____	REVISION #
TITLE: MILL PINION GEAR ID G			CHECK BY:		DATE _____	
SUB TITLE: #2 MILL PINION			APPROVE BY:		DATE _____	
LOCATION: Blairmont			NUMBER OF TEETH 24	DRAWING # GV-02-522-02		
SCALE: 1:12	QTY: 1 OFF	ISSUE FOR QUOTATION	SEE REF# DWG #			



TR UNION BLOCK
SUPPORT

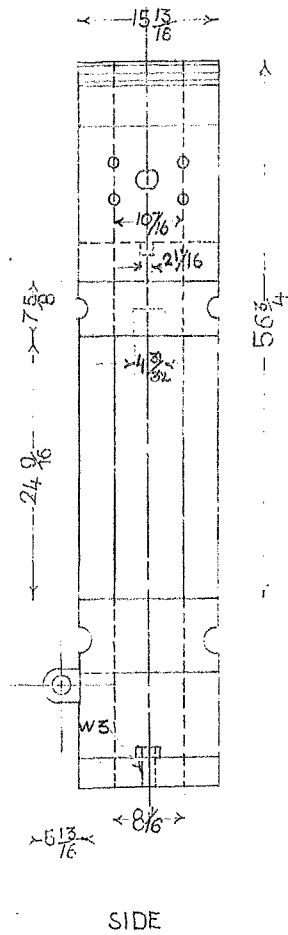
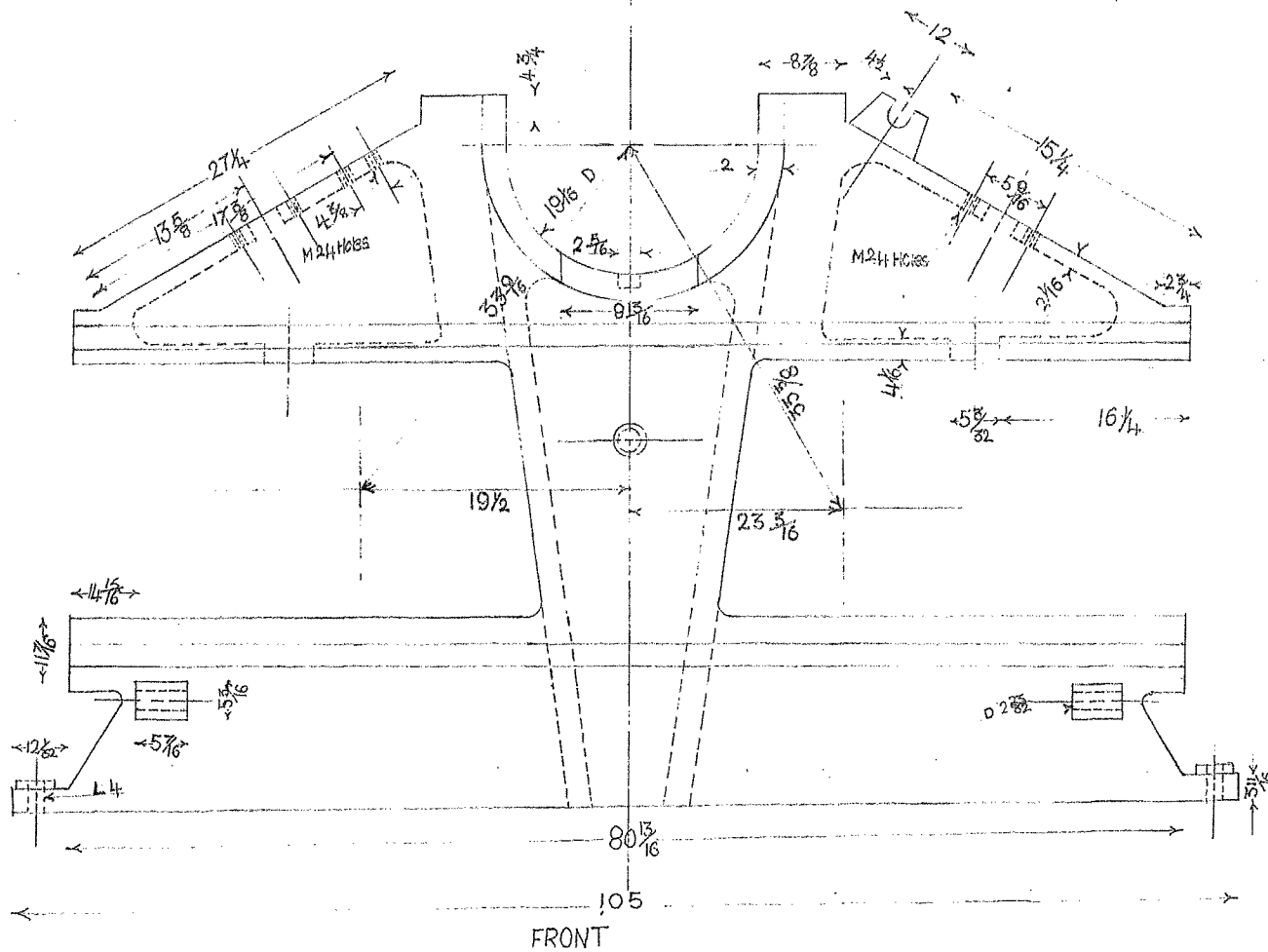
GUYANA SUGAR CORPORATION

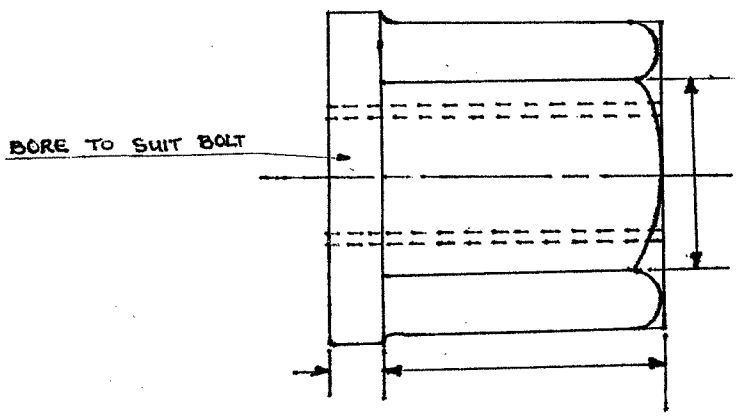
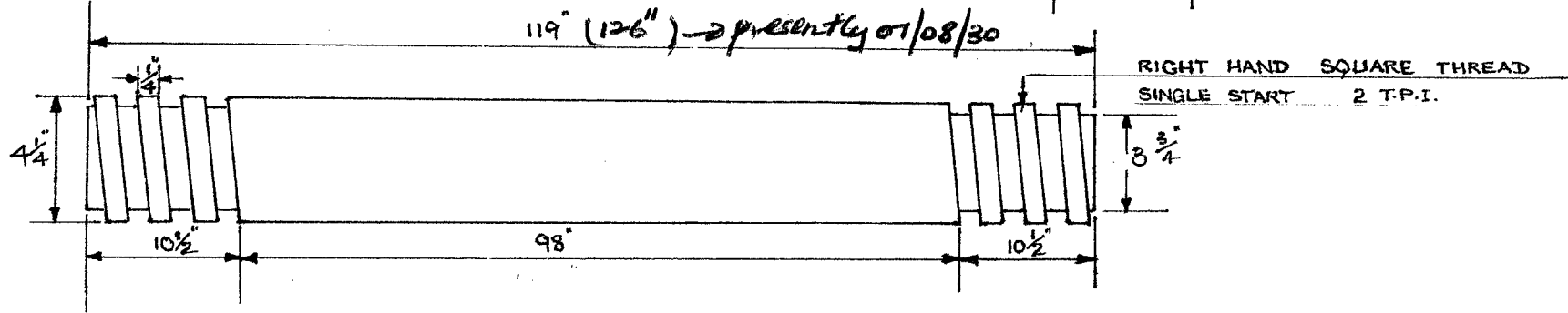
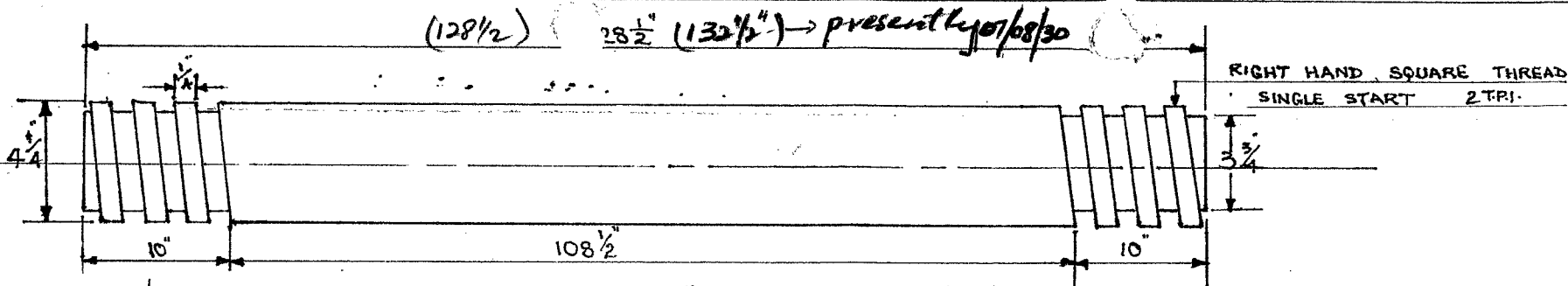
ESTATE : <i>BLAIRMONT</i>	NO OFF.	DRAWN BY : <i>R. J. ...</i>
DRAWING NAME : <i>FULCRUM BRACKET</i>		CHECKED BY : <i>...</i>
DRAWING NO : <i>BCF-95/004</i>	SCALE : <i>NONE</i>	DIMENSIONS : <i>INS</i>
		DATE : <i>95-07-23</i>

PAH...

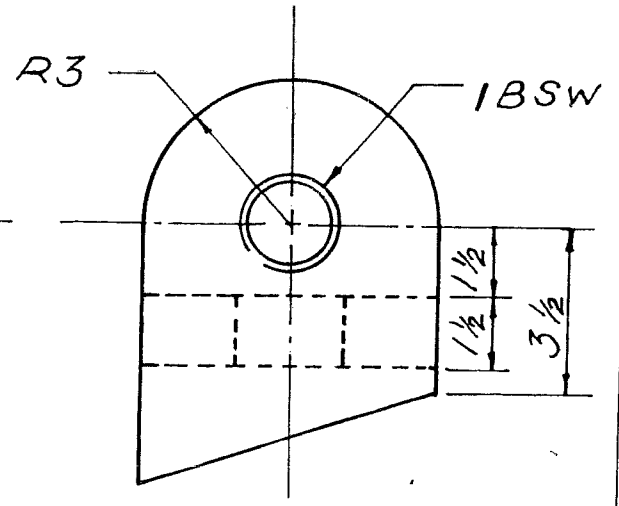
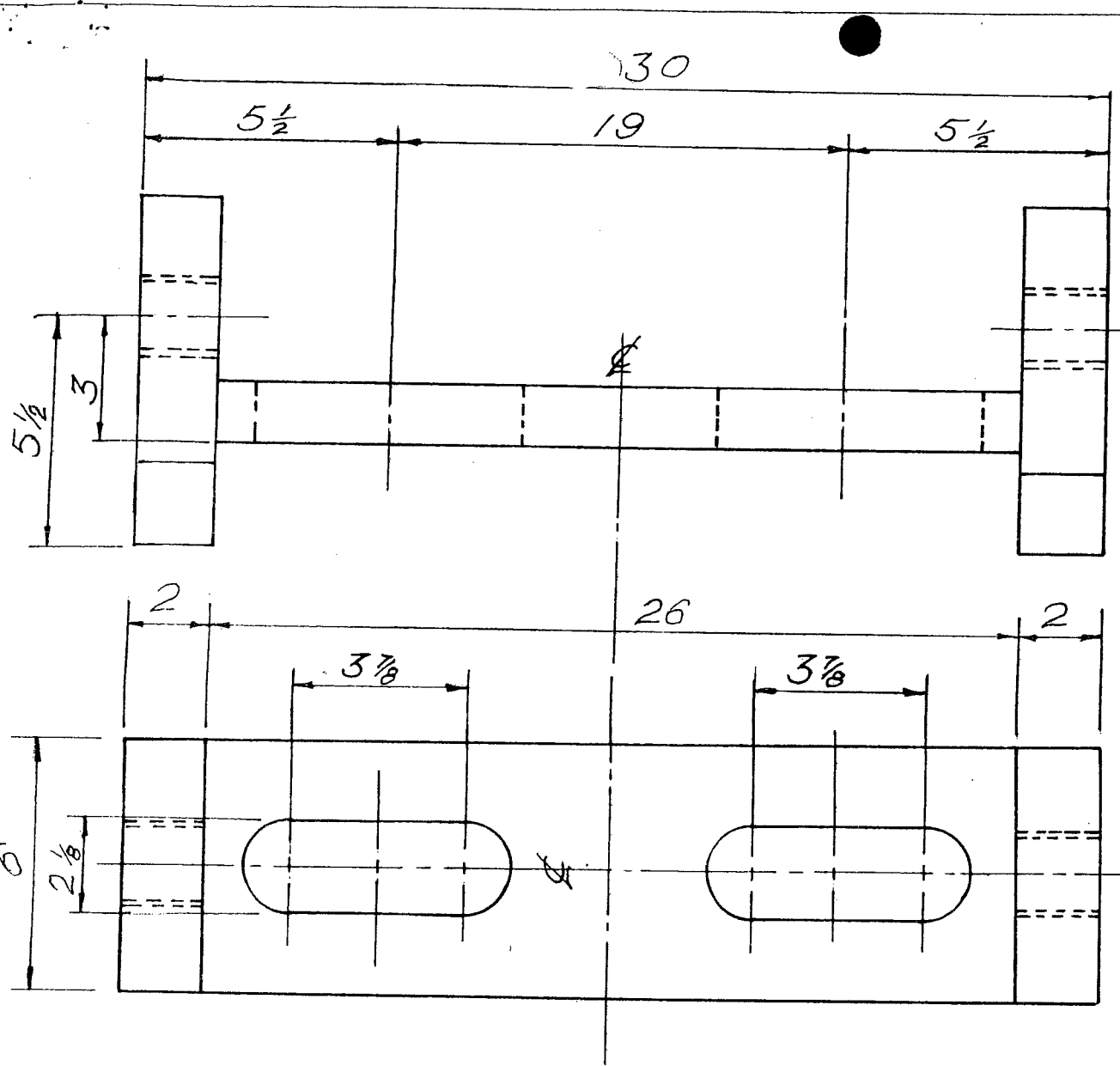
Blairmont Mill Headstock

#3 MILL HEAD STOCK





TITLE: CRUSHER KING BOLT AND NUT	DATE: 92-07-01
DRAWING NO: B.C.F. 18-92	CHECKED BY:
SCALE: NOT TO SCALE	DRAWN BY: Michael Ramgany



TR UNION BLOCK
SUPPORT

GUYANA SUGAR CORPORATION

ESTATE : <i>BLAIR MONT</i>	NO OFF.	DRAWN BY : <i>R. van</i>
DRAWING NAME : <i>FULCRUM BRACKET</i>		CHECKED BY : <i>Steve George</i>
DRAWING NO : <i>BCF-95/004</i>	SCALE : <i>NONE</i>	DIMENSIONS : <i>INS</i>
		DATE : <i>95-07-23</i>