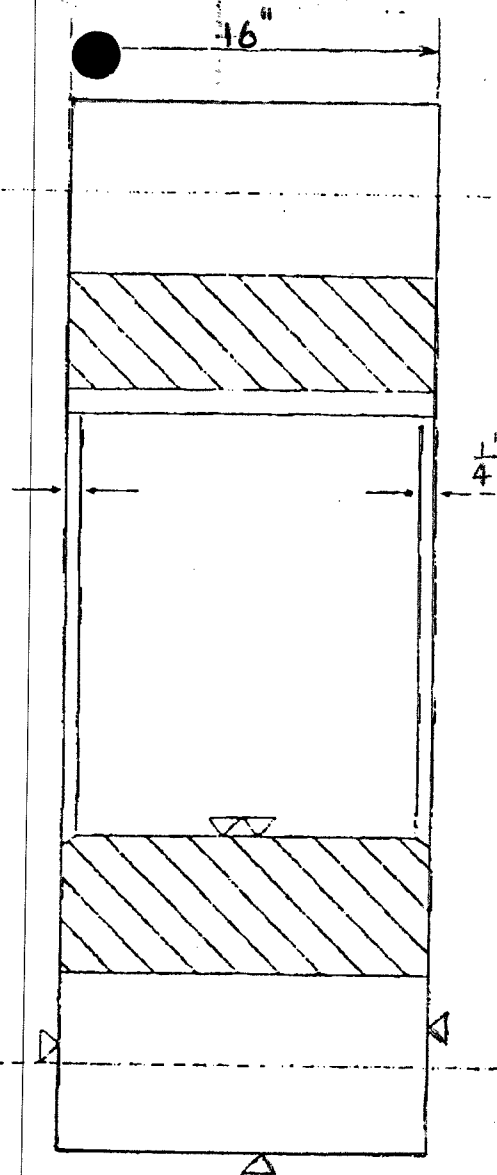
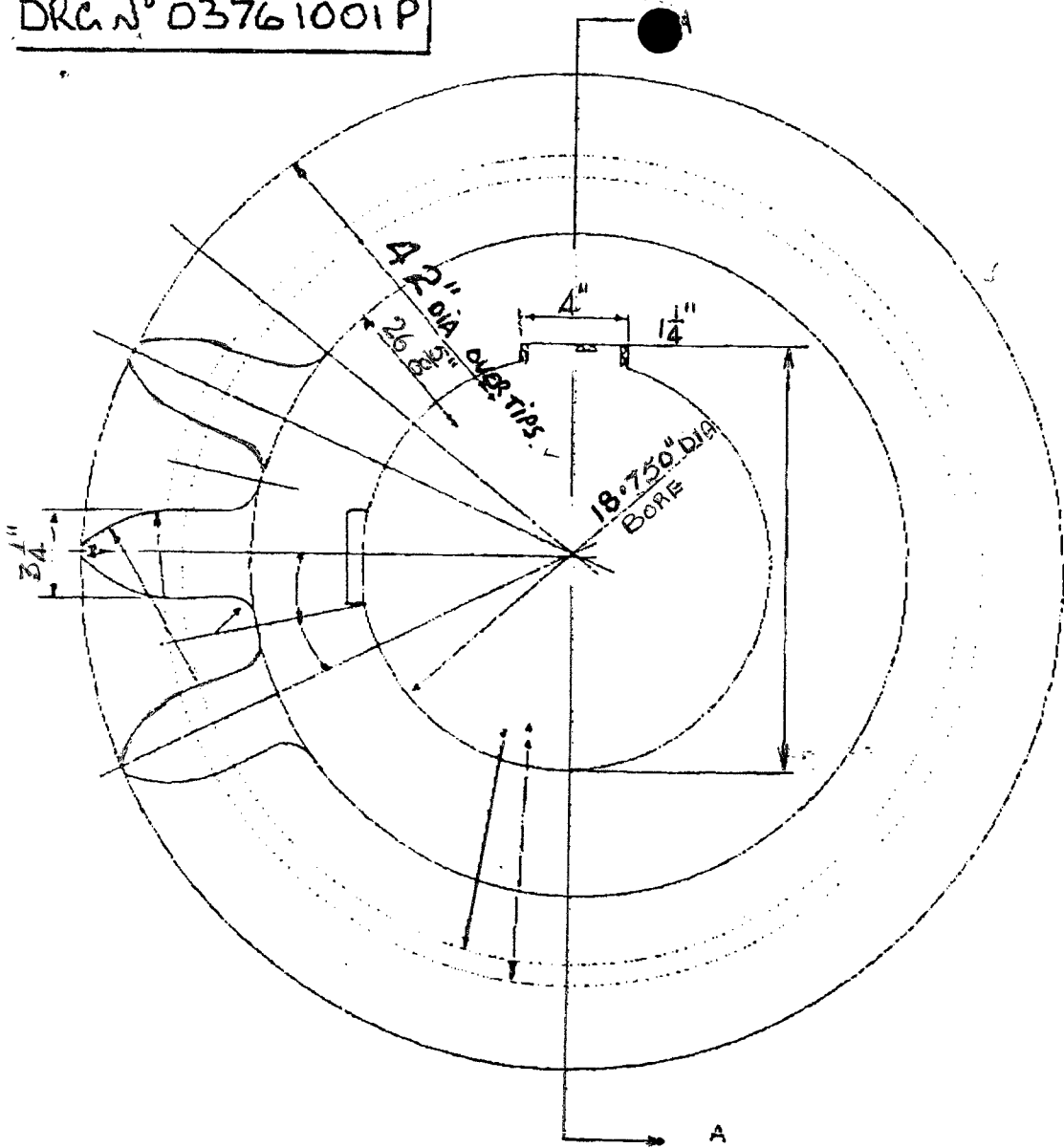


DRG N° 03761001P



SECTION A A

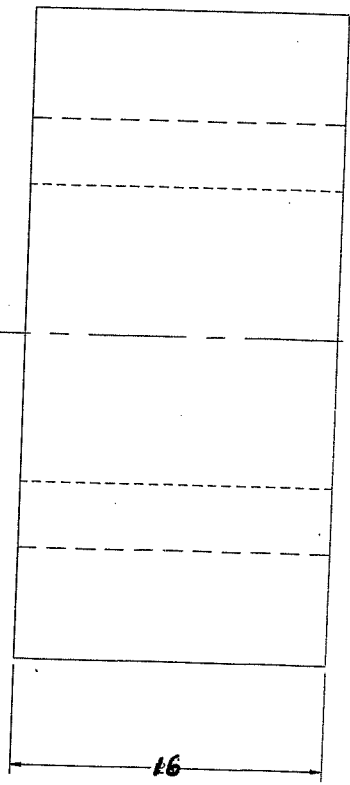
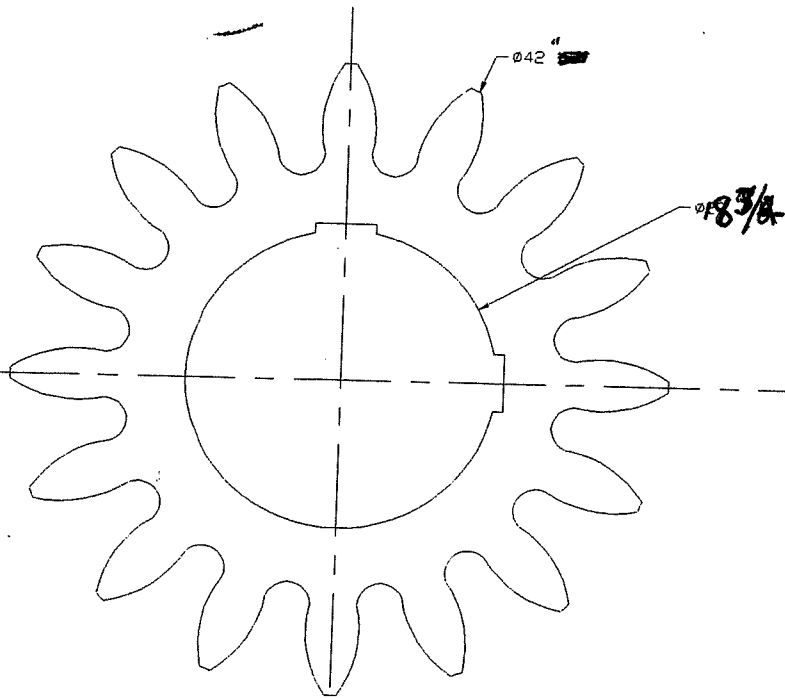
QUANTITY -

16 TEETH Mill PINION

TITLE		PINION WITH STRAIGHT KEY WAY	
SUDECO INTERNATIONAL LIMITED		FORM	DRWG No
1-2 BROADFIELD CLOSE PROGRESS WAY CROYDON SURREY CR0 4XD			L81
ENGLAND			
TELEPHONE: 081-880-7000	FAX: 081-680-0068	TELEX 922037	03761001P

10-12-97 13:08

[20] #9

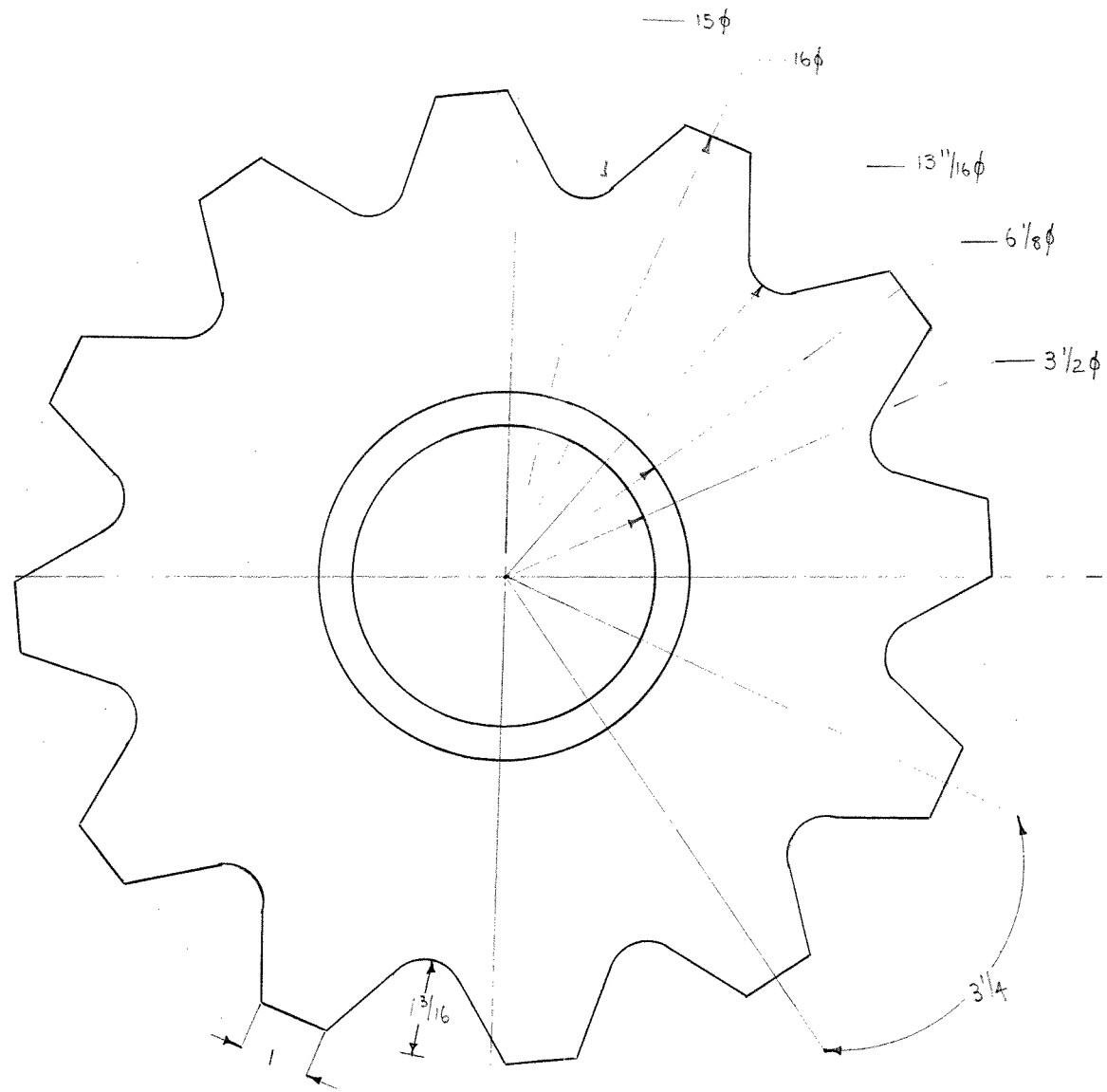


Diameter Over Tips = 42"
 Root Diameter = 36 1/2"
 # of Teeth = 16
 Face Width = 16"
 Nominal Bore = 18 3/4"
 Two Keyways at 90° to each other 4" Width
 Key Way Taper 1 1/8" Small End 1 3/16" Big End

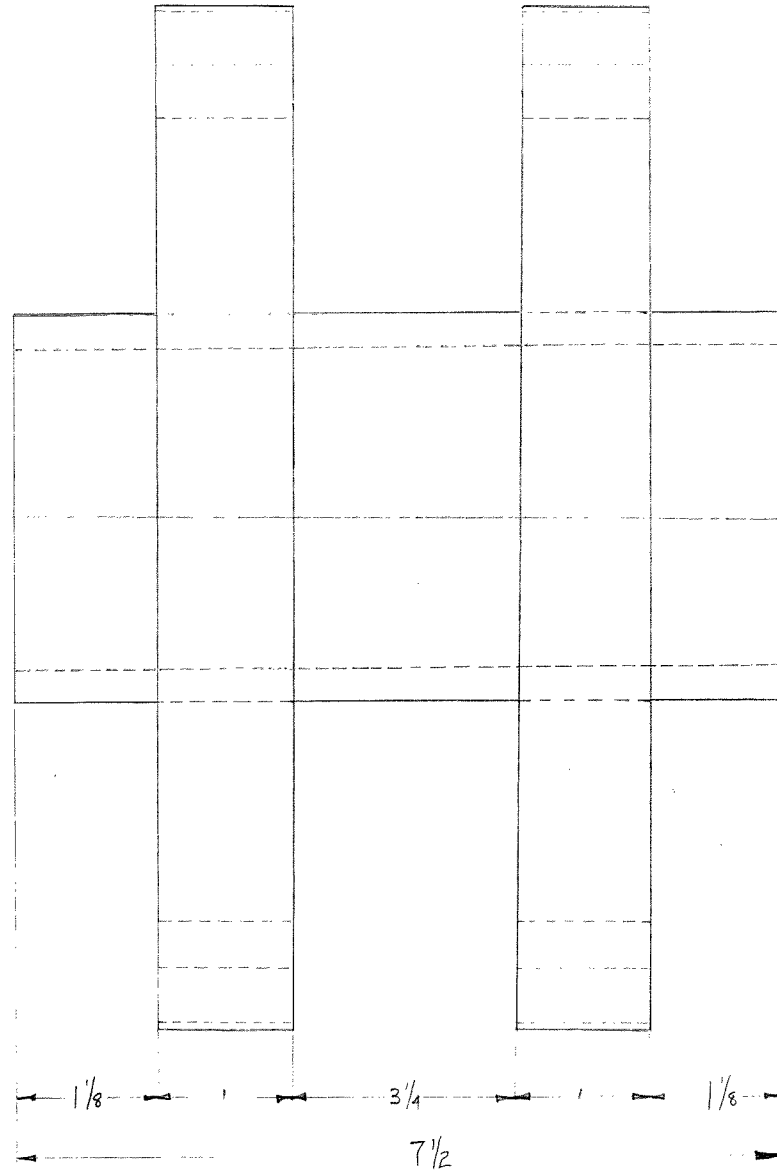
GUYANA SUGAR CORPORATION INC ESTATE - ESTATE LBI FACTORY - FACTORY	TITLE : Cast Steel Mill roll Pinion SHORT TEETH N.B.. ALL DIMENSION IN INCHES UNLESS OTHERWISE STATED	DRAWN: NASIR INCE DATE: SEPT 05, 2007
		SCALE: 1:1 MATL: Cast Steel CHECKED BY: DATE: APPROVED BY: DATE:

Dia over tips - 42"
 Root dia. -
 # of Teeth - 16
 Face width - 16"

Nominal Bore - 18 3/4"
 Keyways - 2 @ 90° x 4" W x 1 1/4" D



NO OF TEETH ON SPROCKET 15 TEETH



TITLE :- INTER CARRIER SPROCKET

DIM'S : INCHES

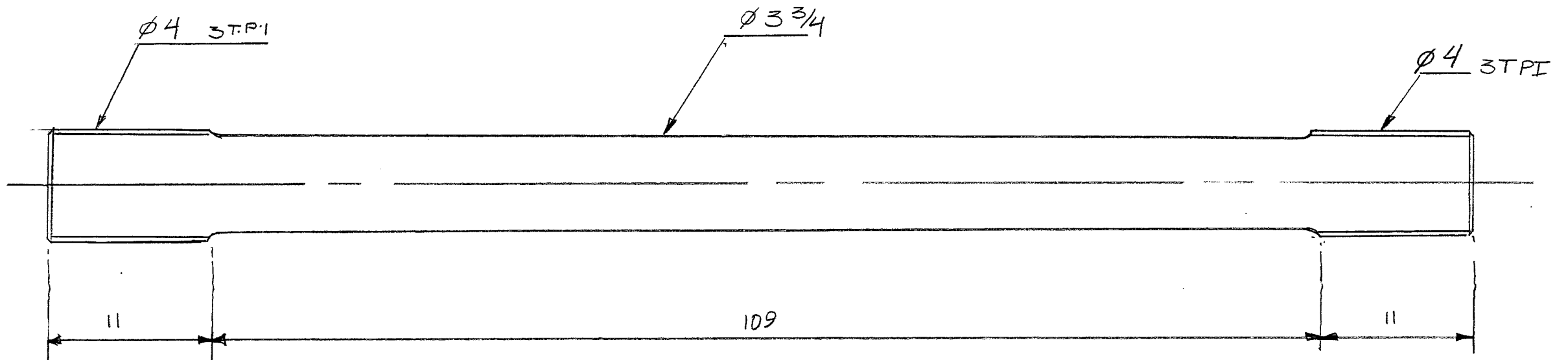
SCALE : NTS

DONE BY : S BALKUMAR

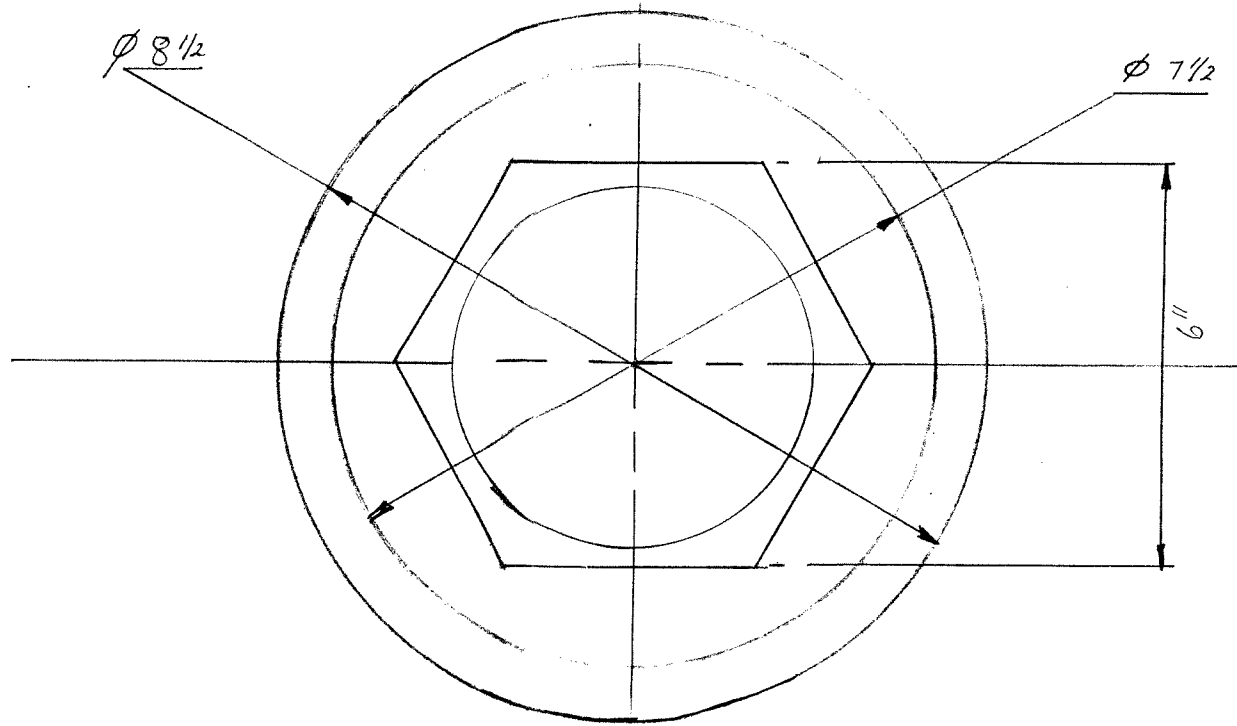
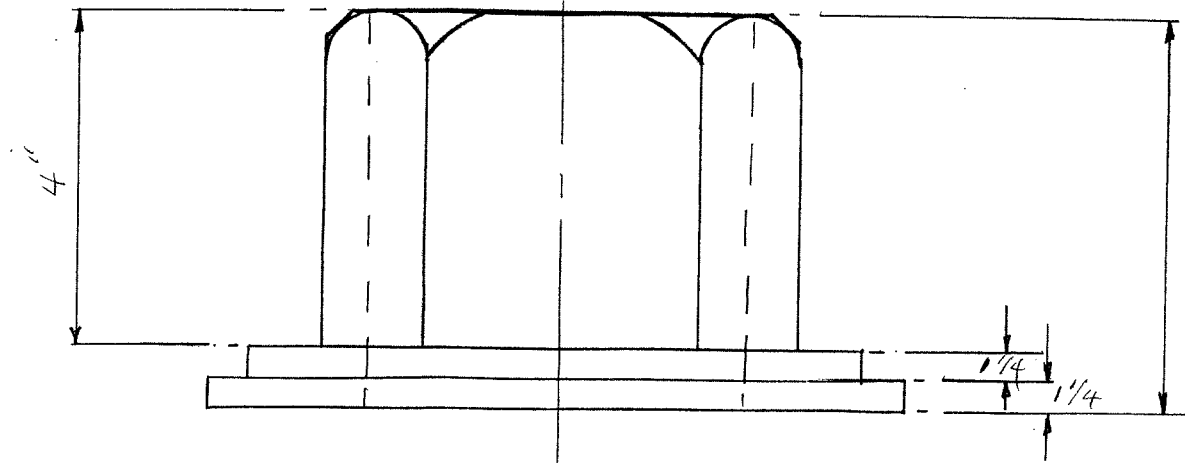
DATE : 2008-09-10

CHECKED BY : *[Signature]*

MILL SIDE CAP HOLDING DOWN BOLT



MILL RING BOLT



THREAD TO SUIT BOLT
BOLT DRAWING SUPPLY

TITLE: NUT for MILL KING BOLT		MAT:	
DONE BY:		DIM: INCH	DATE: 2009-11-30 SCAL: N.T.S