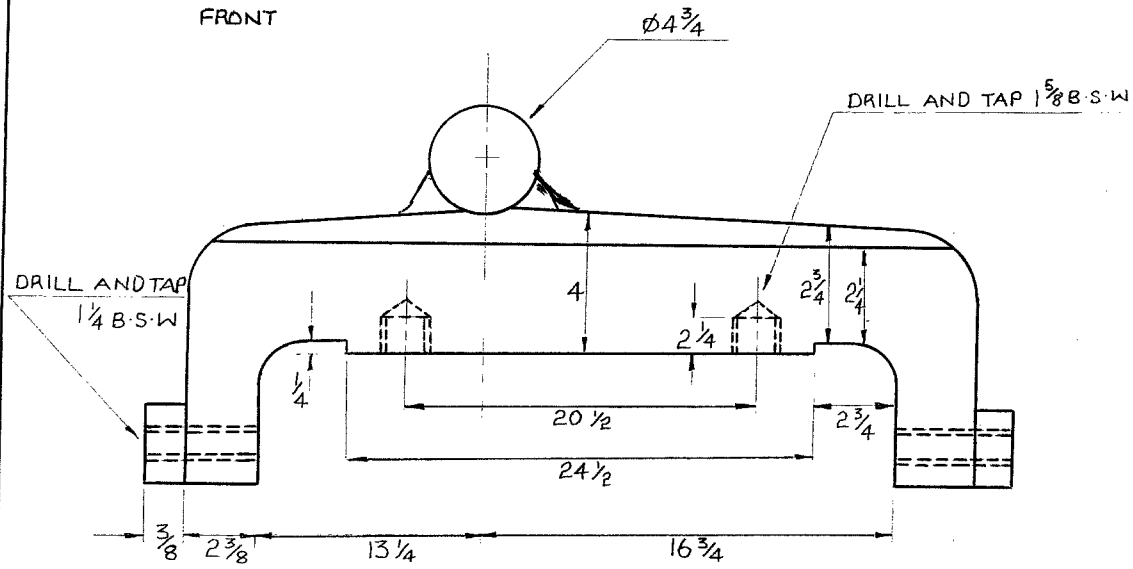
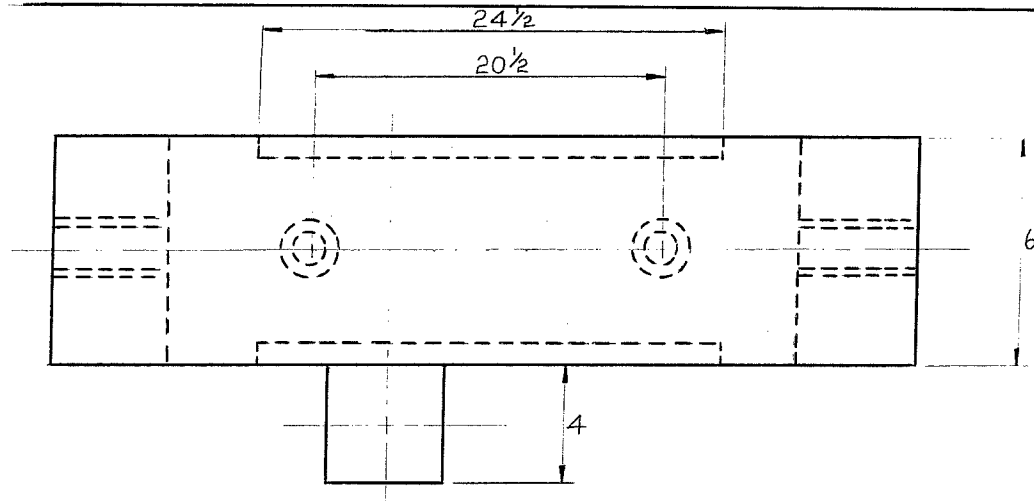
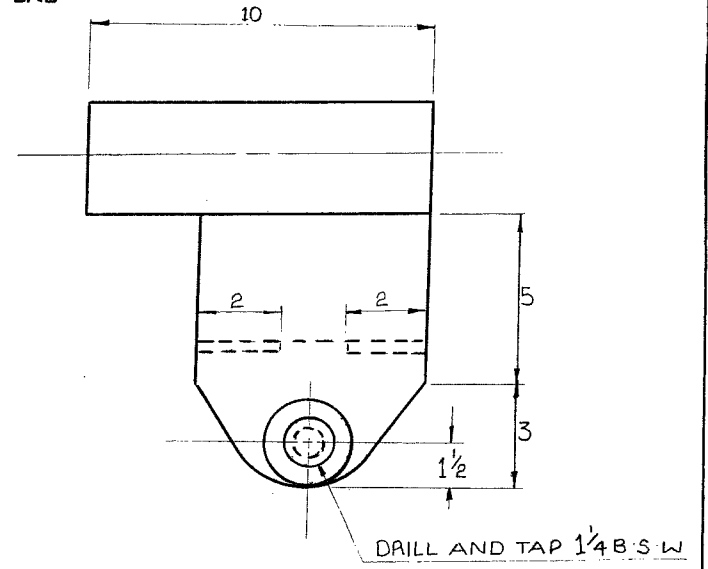


FRONT



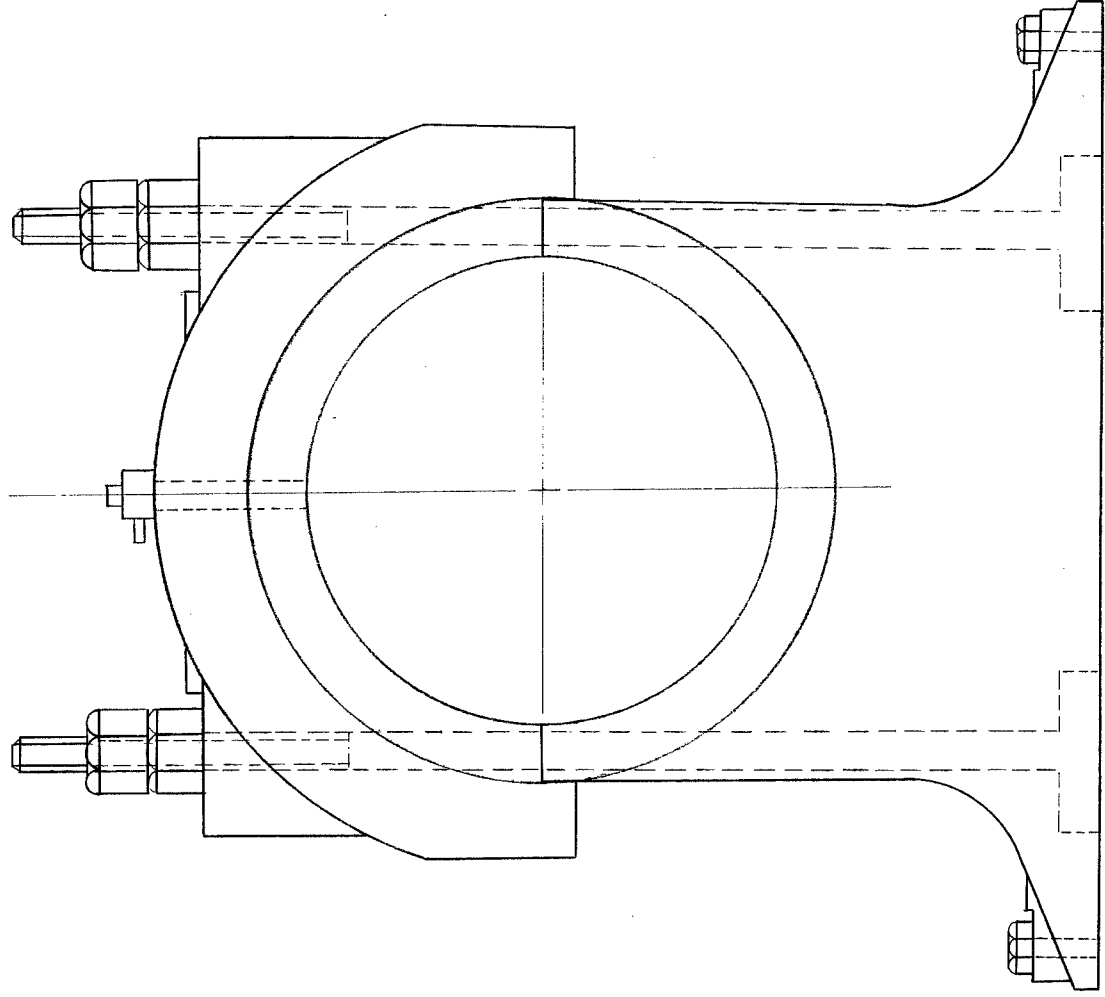
END



PLAN

V. Saeed

DRAWN BY : I-JAFFAR	DIMENSIONS : INCHES
TITLE : #1 FULCRUM BRACKET	SCALE : N.T.S

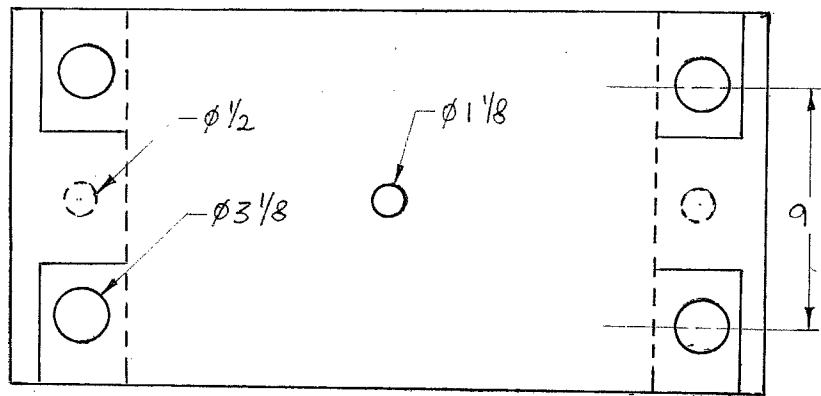
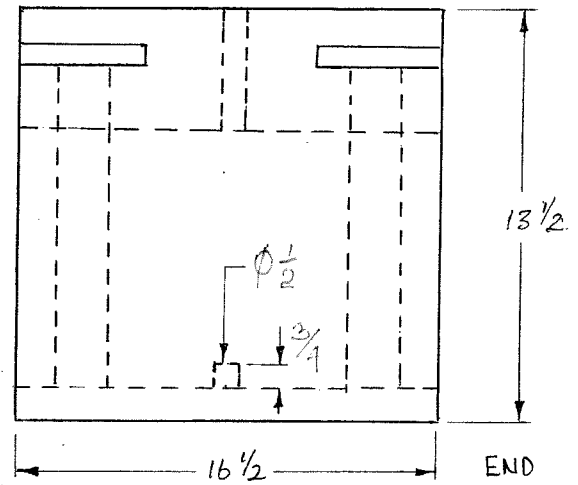
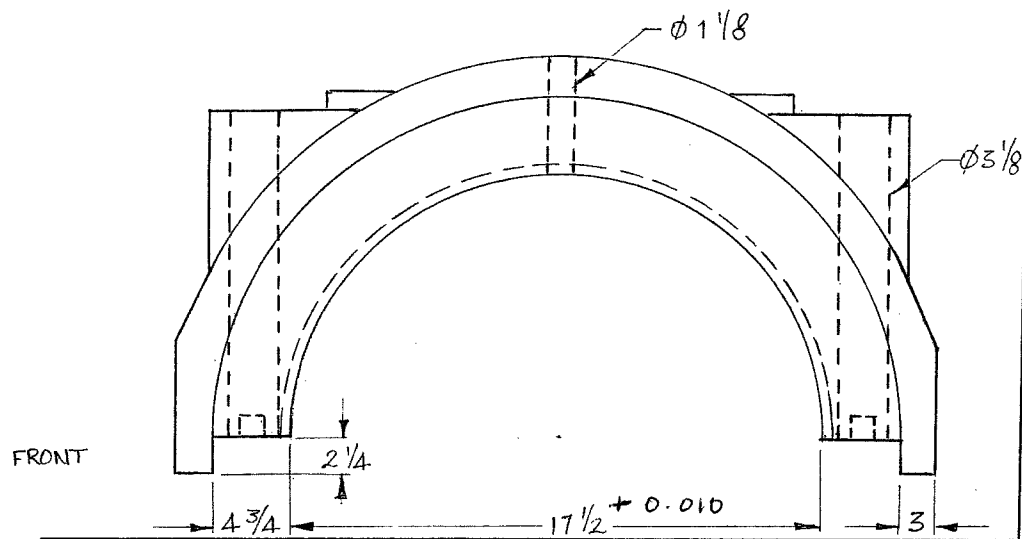


V. Saperasand

TITLE : BEARING BLOCK

DRAWN BY : P. JAFFAR

DATE : 2009-12-06



V. Keerthi and

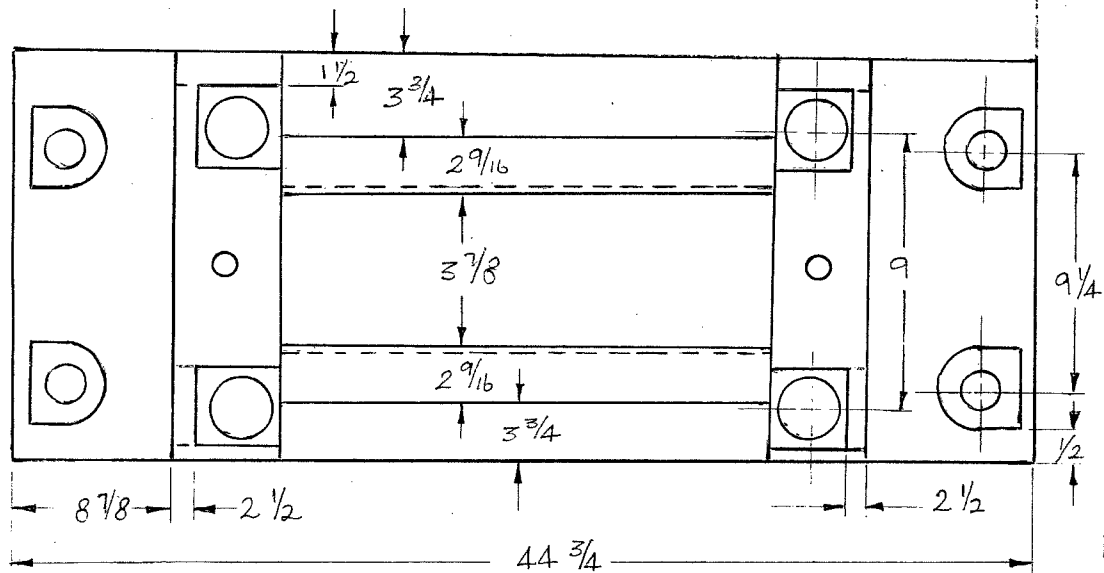
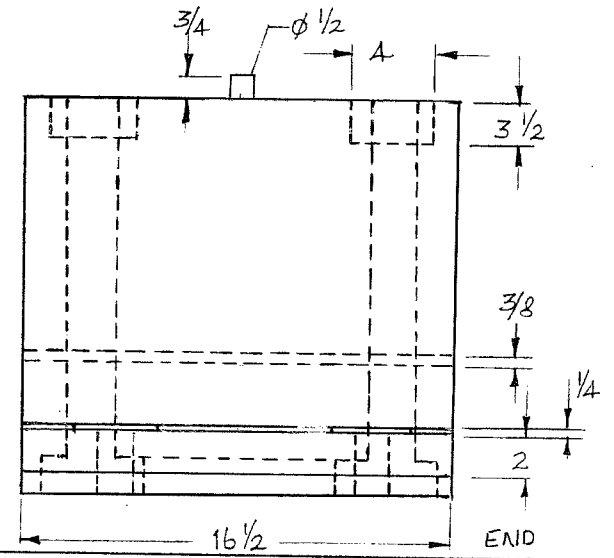
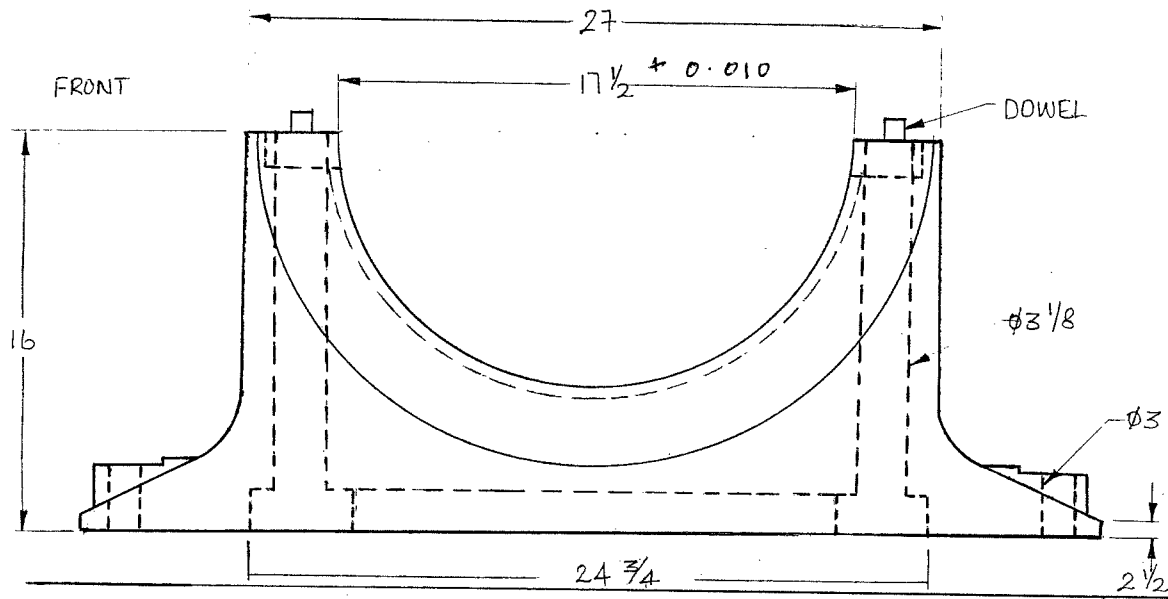
NAME : U. PRASHAD

DATE : 28-11-2009

TITLE : #1 TOP HALF PEDESTAL 15"

DIM'S : INCHES

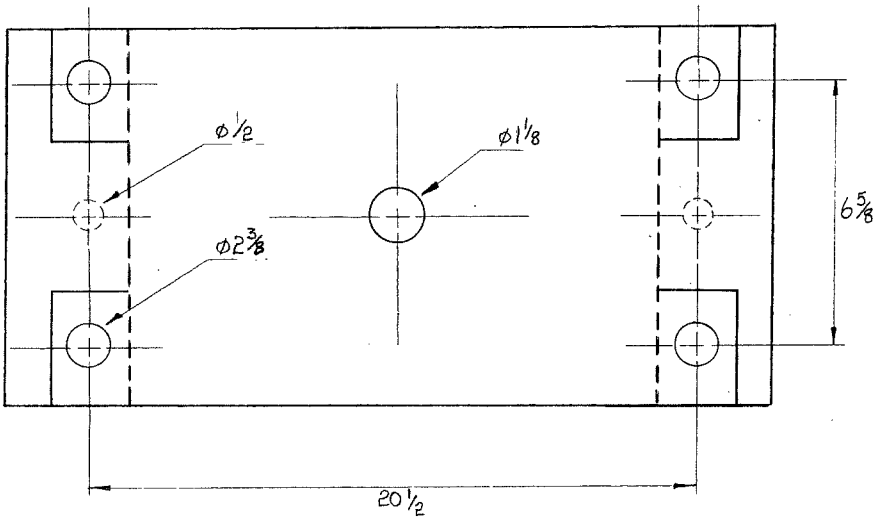
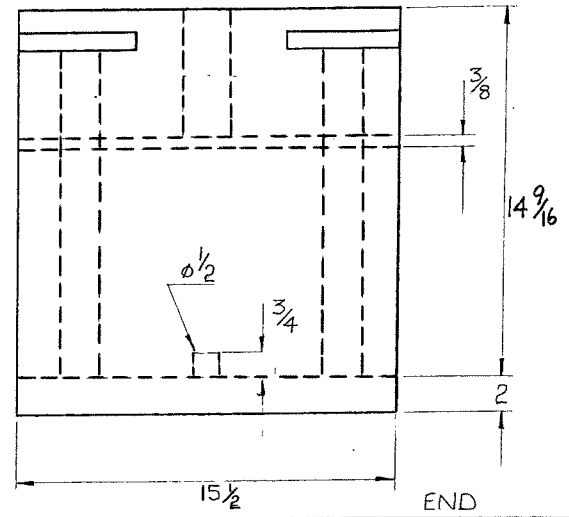
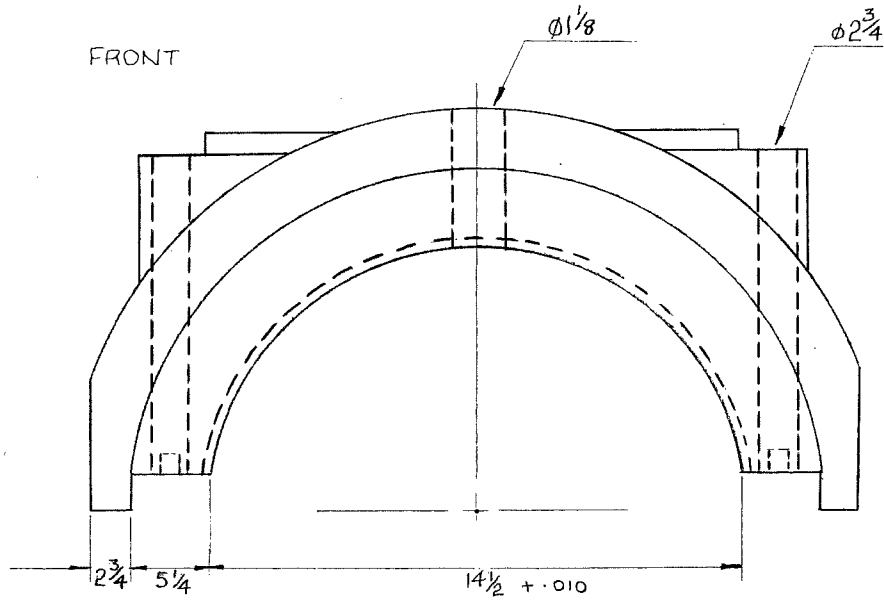
MAT'L : CAST IRON.



V. Suprasand

NAME : U. PRASHAD
 DATE : 28-11-2009
 TITLE : #1 BOTTOM HALF PEDESTAL 15"
 DIM'S : INCHES
 MAT'L : CAST IRON

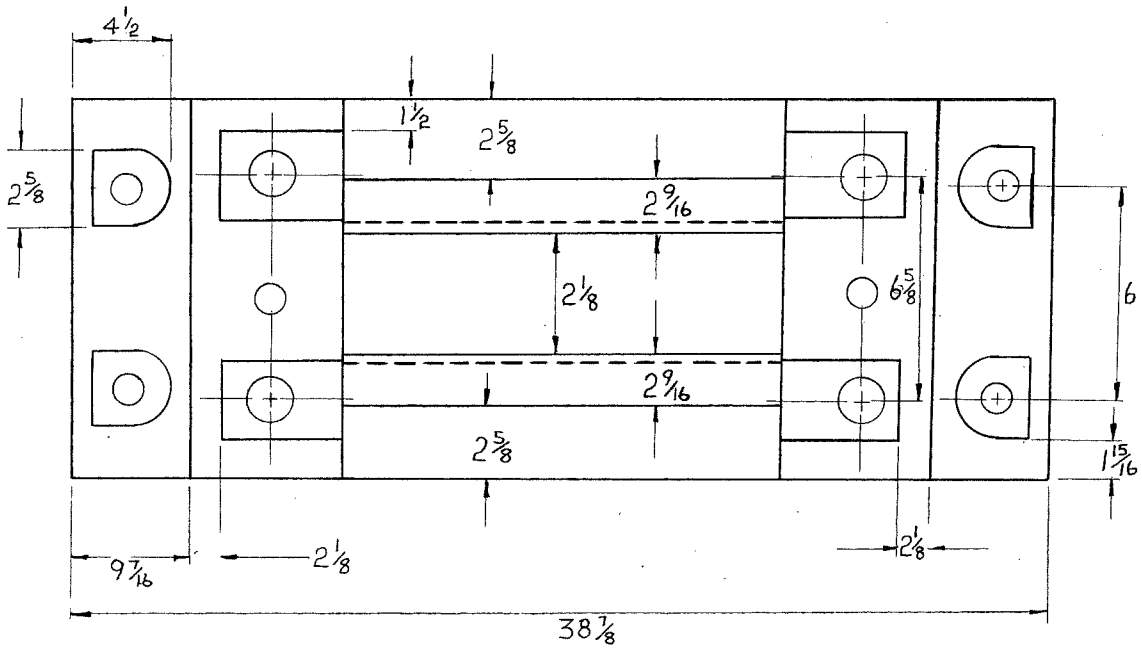
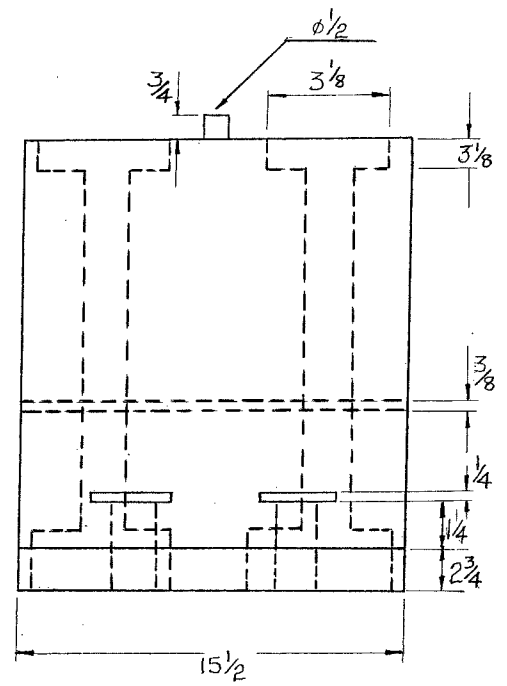
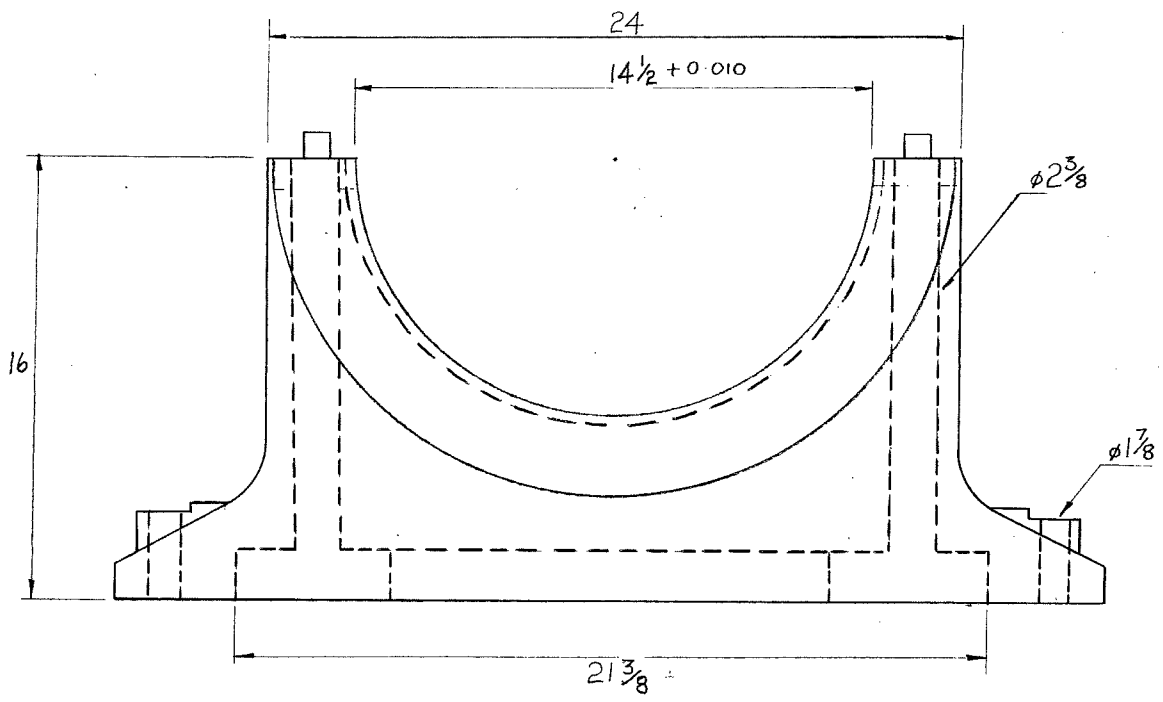
FRONT



PLAN

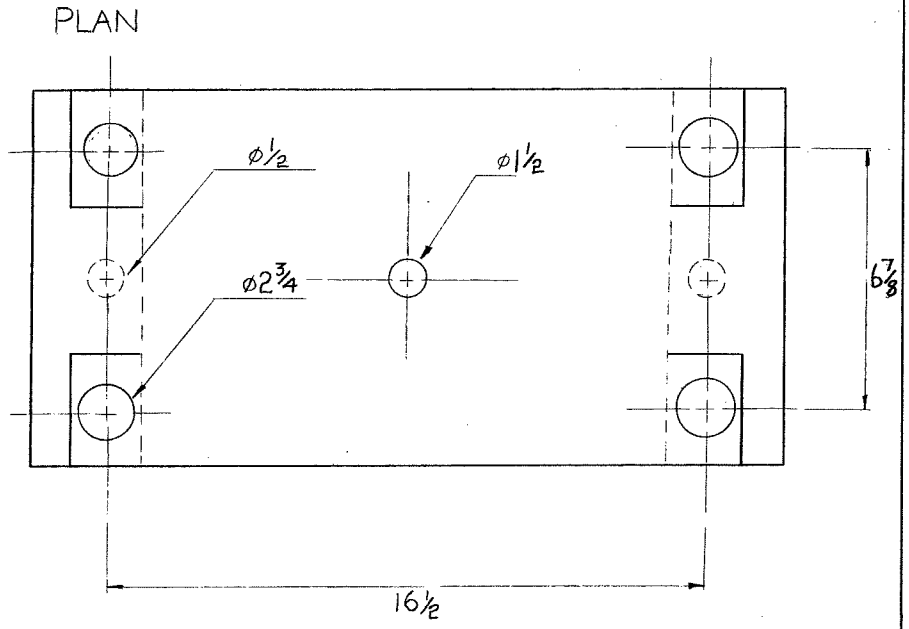
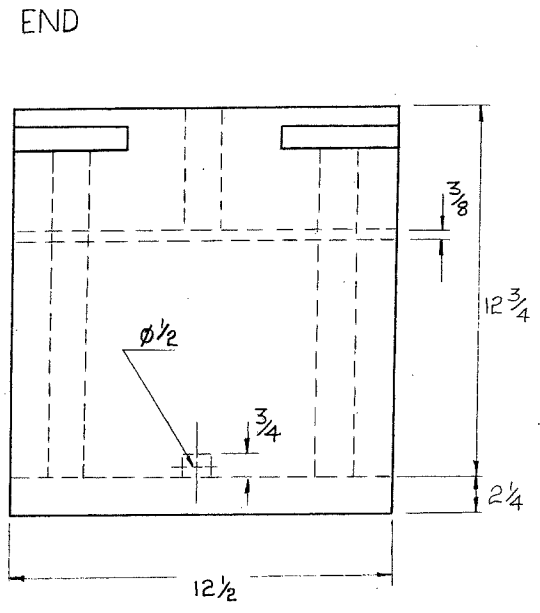
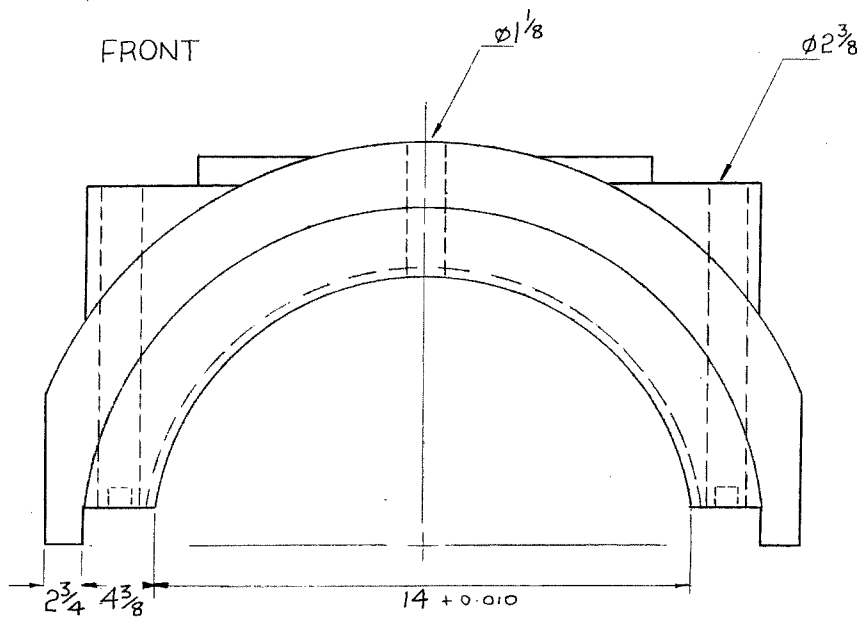
V. Suprasana

DRAWN BY: I. JAFFAR	DIMENSIONS: INCHES
TITLE: 12 1/2 PEDESTAL (TOP)	SCALE: N.T.S



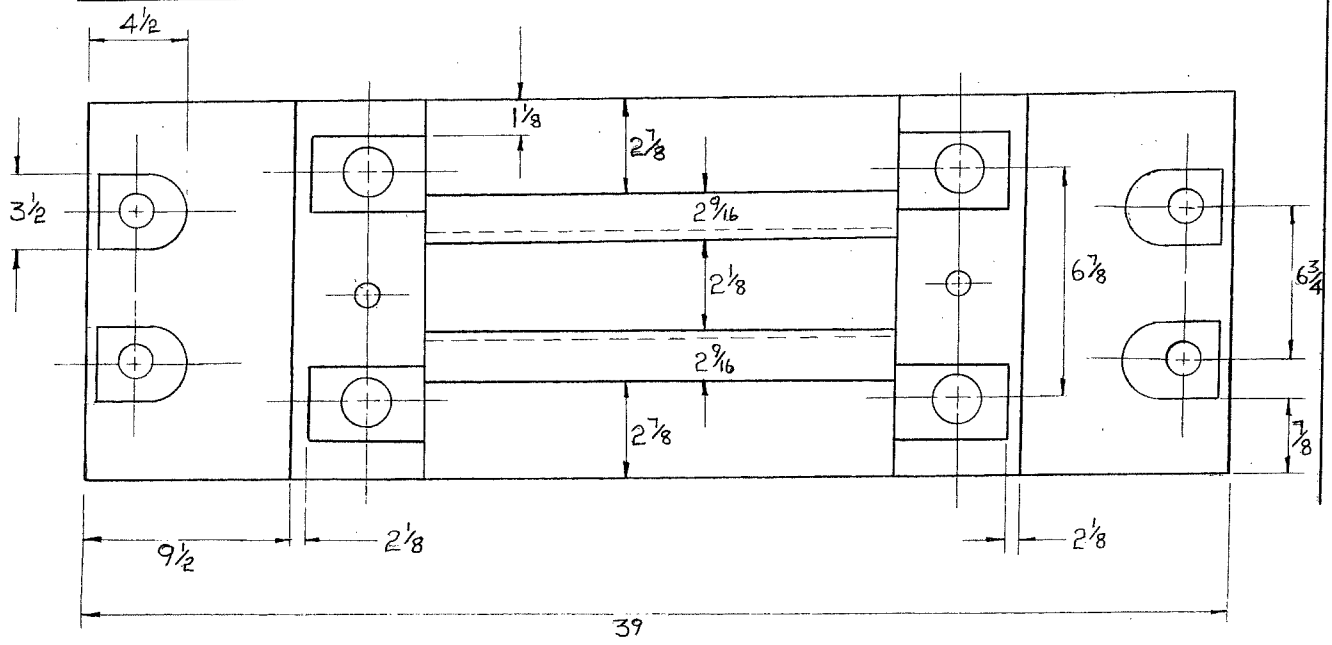
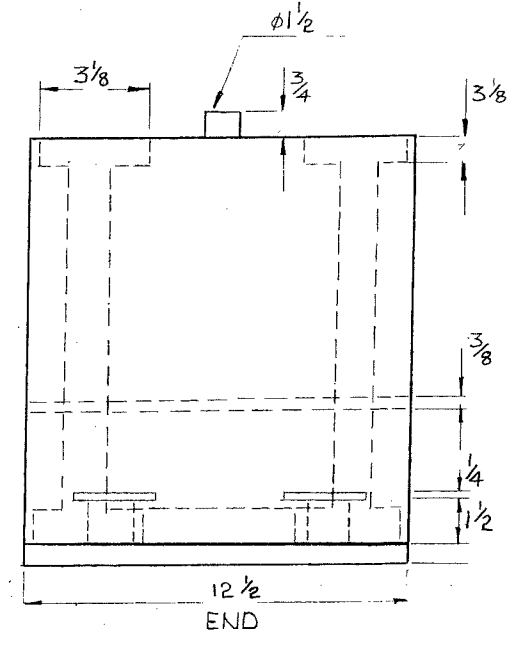
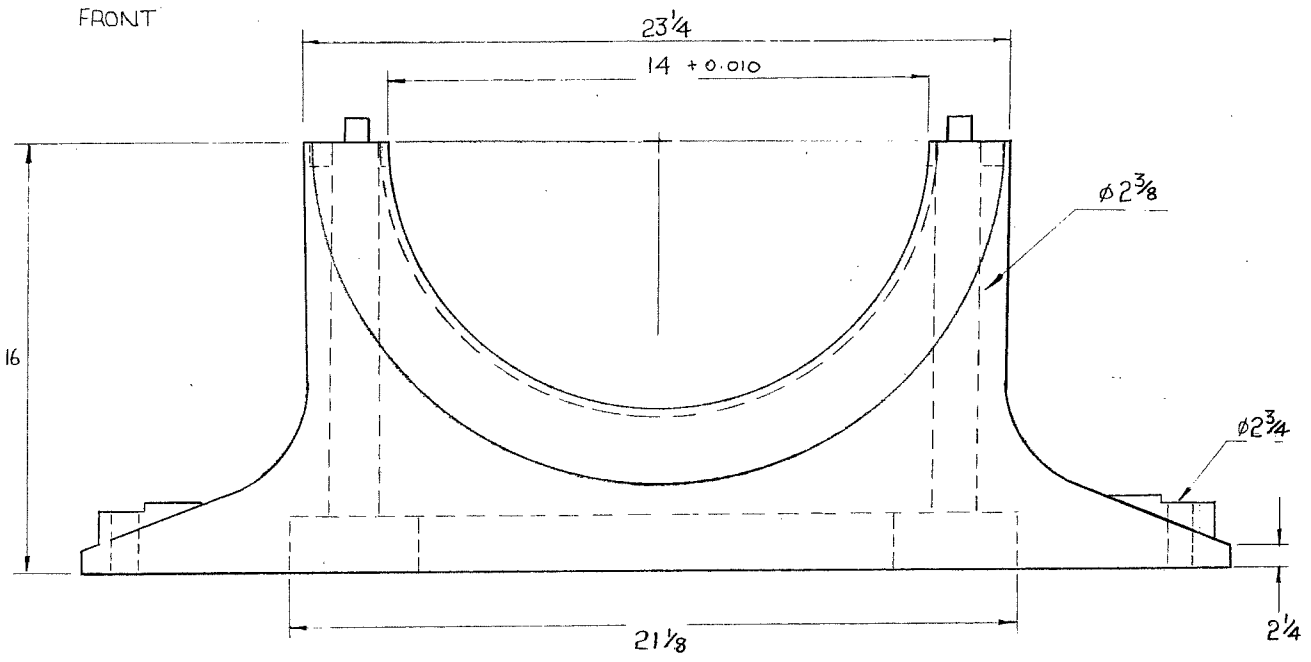
V. Kaperand

DRAWN BY : I. JAFFAR	DIMENSIONS : INCHES
TITLE : 12 1/2 PEDISTAL	SCALE : N.T.S



V. Deepchand

DRAWN BY : I. JAFFAR	DIMENSIONS : INCHES
TITLE : 12° PEDESTAL (TOP)	SCALE : N.T.S



V. Suresh

DRAWN BY : I. JAFFAR	DIMENSIONS : INCHES
TITLE : 12" PEDESTAL (BOTTOM)	SCALE : N.T.S