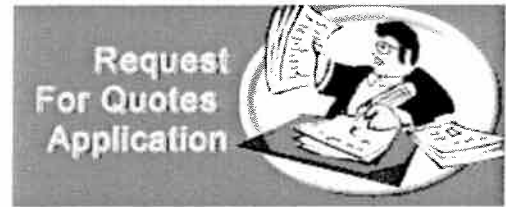




GUYSUCO
Purchasing Department



Logged on: Kwesi McIntosh

Purchasing Dept. | [Home](#)**RFQs**[View / Modify](#)**View an RFQ****Suppliers**[View / Modify](#)[Add](#)[Search Again](#)[Print this page](#)**Commodities**[View](#)**Change Password
Logoff****REQUEST FOR QUOTATION**

RFQ No.:	5201002606/ FO
Creation Date:	21-Jul-2010
Closing Date:	09-Aug-2010

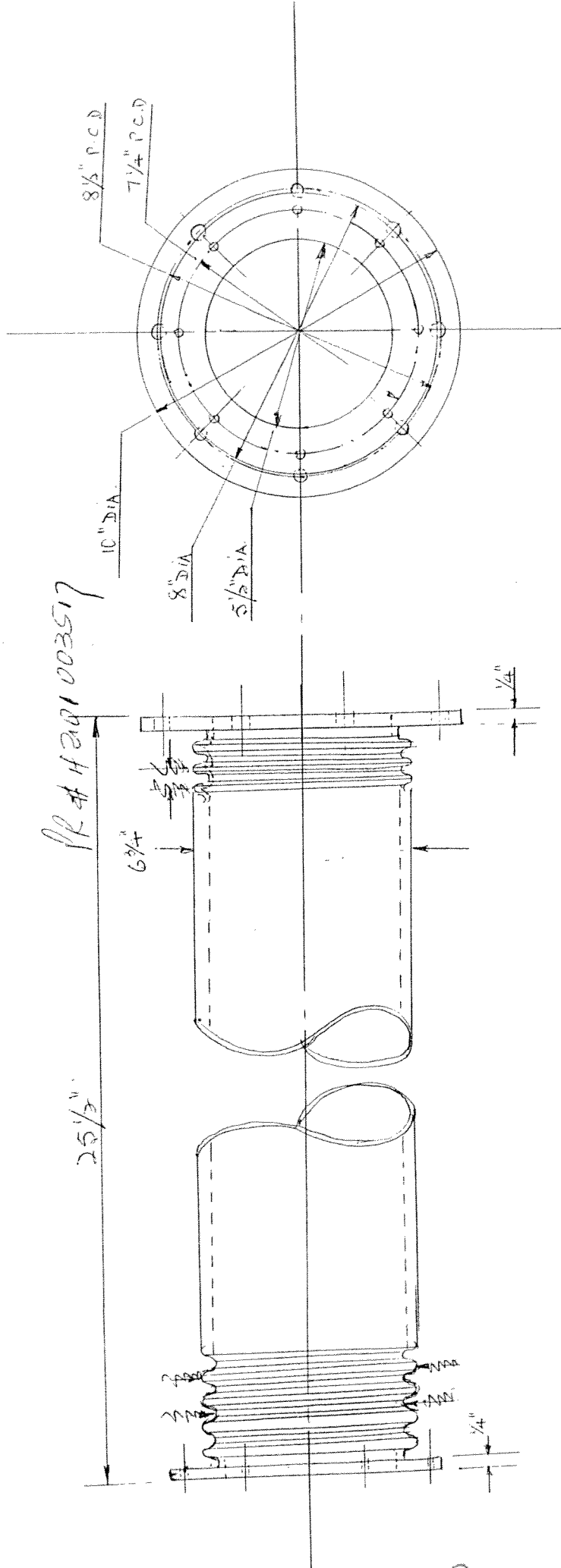
KINDLY FORWARD QUOTATIONS. BIDS CLOSED AT 1:30PM ON THE DATE STATED.

Line	Item No.	Description	Quantity	U/M
1		EXHAUST EXPANSION BELLOWS. REQUIRED FOR # 3 & 4 CUMMINS ENGINE MONTROSE PUMP. PLEASE SEE DRAWING ON WEBSITE.	2	EACH

WebApp Vendors[Add Vendors](#)[Send RFQ](#)Powered by
ORACLE[Go to top](#)
[Home](#) · [Helpdesk](#) · [Essential Information](#) · [The Learning Centre](#) · [Telephone Directory](#)

2005 Guyana Sugar Corporation, Inc.
Ogle Estare, East Coast Demerara
Tel: (592) 222-6030/41 Fax: (592) 222-6048
<http://Intranet/>

10-06-79



NO OF RIPPLES ~~4~~

CUMMINS NT 855 ENGINE EXHAUST EXPANSION BELLOWS

10-06-79
A