



GUYSUCO
Purchasing Department



Logged on: Kwesi McIntosh

Purchasing Dept. | [Home](#)**RFQs**[View / Modify](#)**View an RFQ****Suppliers**[View / Modify](#)[Add](#)[Search Again](#)[Print this page](#)**Commodities**[View](#)[Change Password](#)
[Logoff](#)**REQUEST FOR QUOTATION**

RFQ No.:	5201002780/ FO
Creation Date:	30-Jul-2010
Closing Date:	23-Aug-2010

KINDLY FORWARD QUOTATIONS. BIDS CLOSED AT 1:30PM ON THE DATE STATED.

Line	Item No.	Description	Quantity	U/M
1	101659762	SEAL MECHANICAL 63.13 OD X 56.33 ID X 50.43 ID X 48.30 ID. TYPE: 80-G5 SPIROGLIDE. YEAR: 2000. AC: 00672-001. REQUIRED FOR WEIR "G" TYPE SPIROGLIDE HORIZONTAL CENTRIFUGAL MULTI-STAGE PUMP. PLEASE SEE ATTACHED SPECIFICATION SHEET ON WEBSITE Long Description: DRESSER RAND TURBINE WEIR 'G' TYPE SPIROGLIDE HORIZONTAL CENTRIFUGAL MULTISTAGE PUMPS. TYPE: 80-G5 SPIROGLIDE YEAR: 2000 AC: 00672-001	4	EACH

WebApp Vendors[Add Vendors](#)[Send RFQ](#)

Powered by
ORACLE

[Go to top](#)

[Home](#) · [Helpdesk](#) · [Essential Information](#) · [The Learning Centre](#) · [Telephone Directory](#)

2005 Guyana Sugar Corporation, Inc.
 Ogle Estate, East Coast Demerara
 Tel: (592) 222-6030/41 Fax: (592) 222-6048
<http://Intranet/>

Wasser Kind Justing Weir Pump.

MECHANICAL SEAL

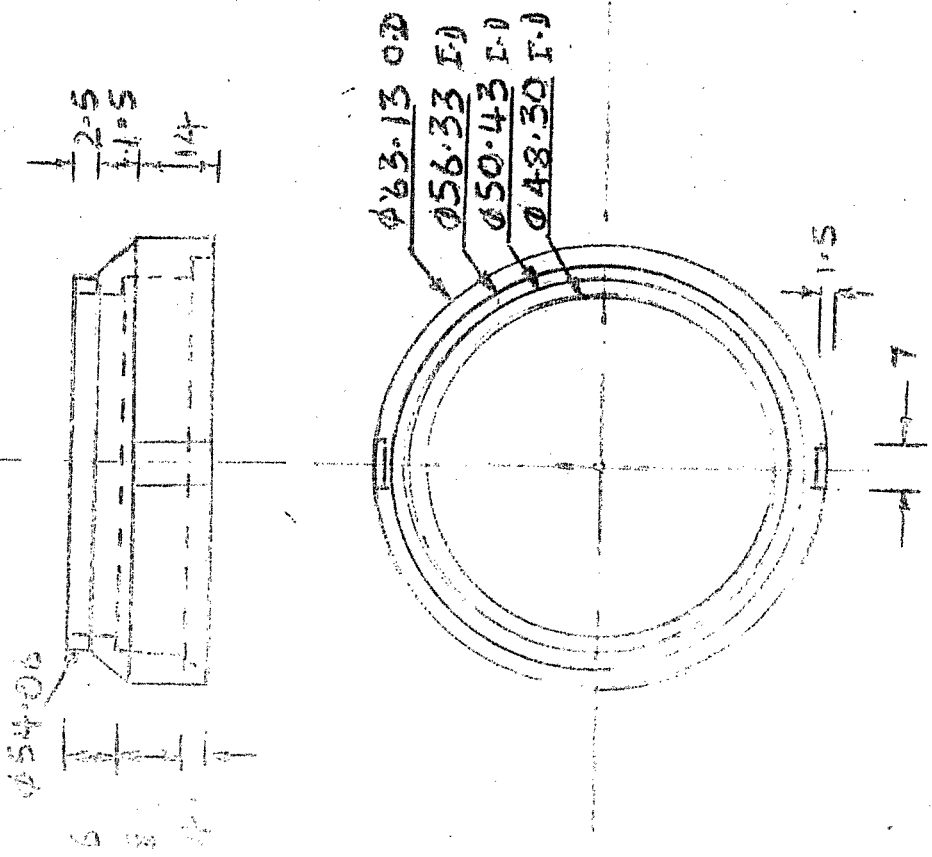
DIM: MM

SCALE: N.T.S

LOCATION: BCF

DRAWN BY: J. BAKSH

CHECKED BY: J. PERSAN



To: River View

227 1830

FROM: N. PERSAN

ENR. Mof. BCF

h

118

This is the separate drawing 2007/08/29.

DRESSER BAND TURBINE WEIR PUMP
MECHANICAL SEAL.